



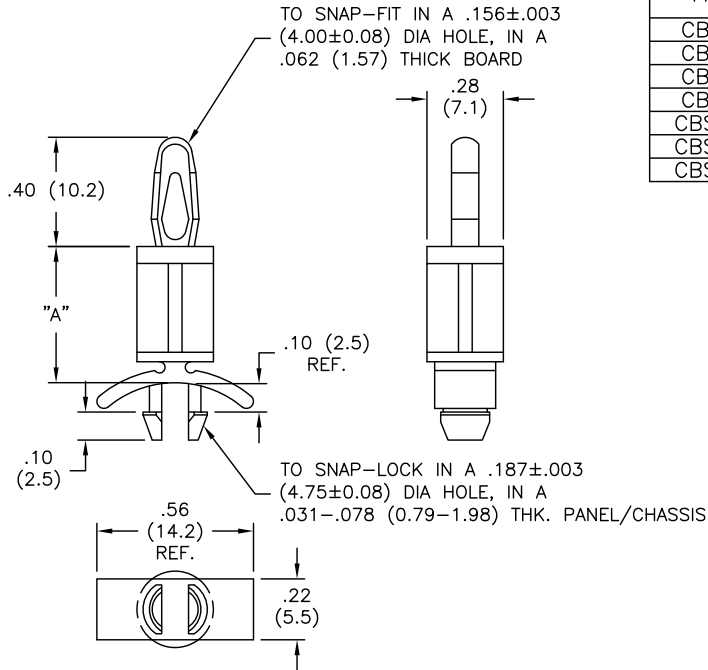
Excellent Integrated System Limited

Stocking Distributor

Click to view price, real time Inventory, Delivery & Lifecycle Information:

[Essentra Components \(formerly Richco, Inc.\)](#)
[CBS-3-01](#)

For any questions, you can email us directly:
sales@integrated-circuit.com



NYLON 6/6 (RMS-01) COLOR: NATURAL PART NO.	FLAME RET. (RMS-19) COLOR: NATURAL PART NO.	DIM. "A"
CBS-3-01	CBS-3-19	3/16 (4.8)
CBS-4-01	CBS-4-19	1/4 (6.4)
CBS-6-01	CBS-6-19	3/8 (9.5)
CBS-8-01	CBS-8-19	1/2 (12.7)
CBS-10-01	CBS-10-19	5/8 (15.9)
CBS-12-01	CBS-12-19	3/4 (19.1)
CBS-14-01	CBS-14-19	7/8 (22.2)

TITLE: CIRCUIT BOARD SUPPORT		DWG IN IN (MM)		FINAL	
TOLERANCES UNLESS NOTED .XX=±.010 .XXX=±.005 FRAC=±1/64 ANG=±1°	FILE # CBS	DWN: P.B.	APP:	PART #	PRINT TYPE
	MAT'L: SEE TABLE	DT: 02-06-95	DT:	SEE TABLE	CA
	RE: RICHCO, INC.	RICHCO INC. PO BOX 804238, CHICAGO, 60680 (773) 539-4060			

B	CHANGED FILE NO. AND TITLE BLOCK	SM 04.27.01
A	CONVERTED TO ACAD	PB 02.06.95
REV	DESCRIPTION	ENGR DATE