

Excellent Integrated System Limited

Stocking Distributor

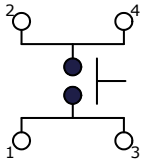
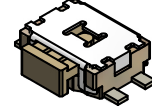
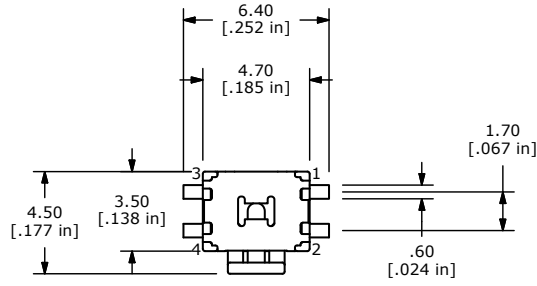
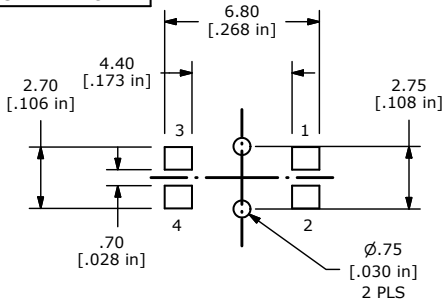
Click to view price, real time Inventory, Delivery & Lifecycle Information:

[E-Switch](#)
[TL1014BF160QG](#)

For any questions, you can email us directly:

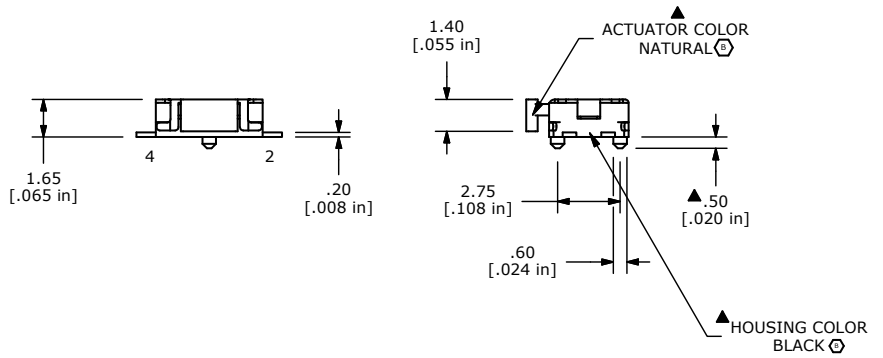
sales@integrated-circuit.com

SHEET 1 OF 1



CIRCUIT: SPST

- NOTES:
1. ALL DIMENSIONS IN MM
 2. GENERAL TOLERANCE: X.X=±0.4
X.XX=±0.25
 3. TERM. NOS. FOR REFERENCE ONLY.
 4. RATING: 12VDC, 50mA
 - ▲5. OPERATING FORCE: 160 ±50 gms
 - ▲6. TRAVEL: 0.25mm ±0.1
 7. CONTACT RESISTANCE: 100 MILLI OHMS MAX. (INITIAL)
 8. MECHANICAL/ELECTRICAL LIFE 200,000 CYCLES MIN.
 9. PACKAGE: TAPE AND REEL - 3300 PIECES PER REEL
 10. ▲DENOTES CRITICAL PARAMETER
 12. 2002/95/EC (ROHS) COMPLIANT.



B	21619	CHANGED HOUSING COLOR TO BLACK	10/14/14	AS
A	20976	New Release	1/18/13	rc
REV	PCR NO	DESCRIPTION	DATE	BY

TITLE TL1014BF160QG				
SCALE	DATE	DR	DWG	REV
	1/18/2013	rc	P410002	B

THE INFORMATION CONTAINED IN THIS DOCUMENT IS PROPRIETARY TO E-SWITCH AND IS NOT TO BE COPIED OR TRANSFERRED