



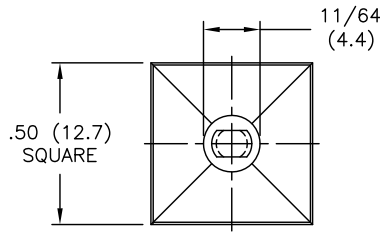
Excellent Integrated System Limited

Stocking Distributor

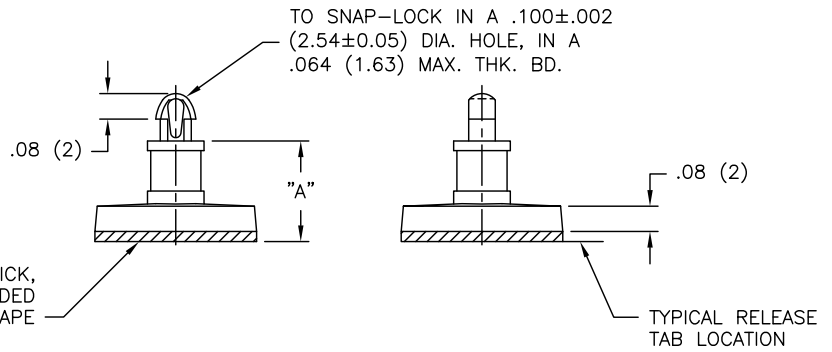
Click to view price, real time Inventory, Delivery & Lifecycle Information:

[Essentra Components \(formerly Richco, Inc.\)](#)
[CBSBT-3-01A-RT](#)

For any questions, you can email us directly:
sales@integrated-circuit.com

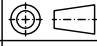



PART NO.	DIM. "A" ±.015 (±0.4)
CBSBT-3-01A-RT	3/16 (4.76)
CBSBT-4-01A-RT	1/4 (6.35)
CBSBT-5-01A-RT	5/16 (7.94)
CBSBT-6-01A-RT	3/8 (9.53)
CBSBT-7-01A-RT	7/16 (11.11)
CBSBT-8-01A-RT	1/2 (12.70)
CBSBT-9-01A-RT	9/16 (14.29)
CBSBT-10-01A-RT	5/8 (15.88)



NOTES:

- MAT'L: NYLON 6/6 (RMS-01).
FLAME RETARDANT, NYLON (RMS-19),
AVAILABLE BY SPECIAL ORDER ONLY.
- COLOR: NATURAL.
- ACRYLIC ADHESIVE TAPE (RMS-15), WHITE LINER.
PART ALSO AVAILABLE WITHOUT TAPE.
TO ORDER REMOVE "A-RT" FROM PART NO.
[SUBTRACT 1/32 (0.8) FROM "A" DIM]
- RUBBER BASED ADHESIVE TAPE (RMS-102),
AVAILABLE BY SPECIAL ORDER ONLY.
TO ORDER REPLACE "A-RT" WITH "A1-RT".

TITLE: CIRCUIT BOARD SUPPORT ON BASE, TEARDROP					
TOLERANCES UNLESS NOTED .XX=±.010 .XXX=±.005 FRAC=±1/64 ANG=±1°	FILE # CBSBT MAT'L: SEE NOTES RE: RICHCO, INC.	DWN: P.B. DT: 02-27-95	APP: DT:	FINAL	PRINT TYPE CA
PART # SEE TABLE			PART # SEE TABLE		

G	SEE C0200705 FOR CHANGES	SK 09.07.11
-	SEE ENG FOR REVISIONS A TO F	-----
REV	DESCRIPTION	ENGR DATE