



Excellent Integrated System Limited

Stocking Distributor

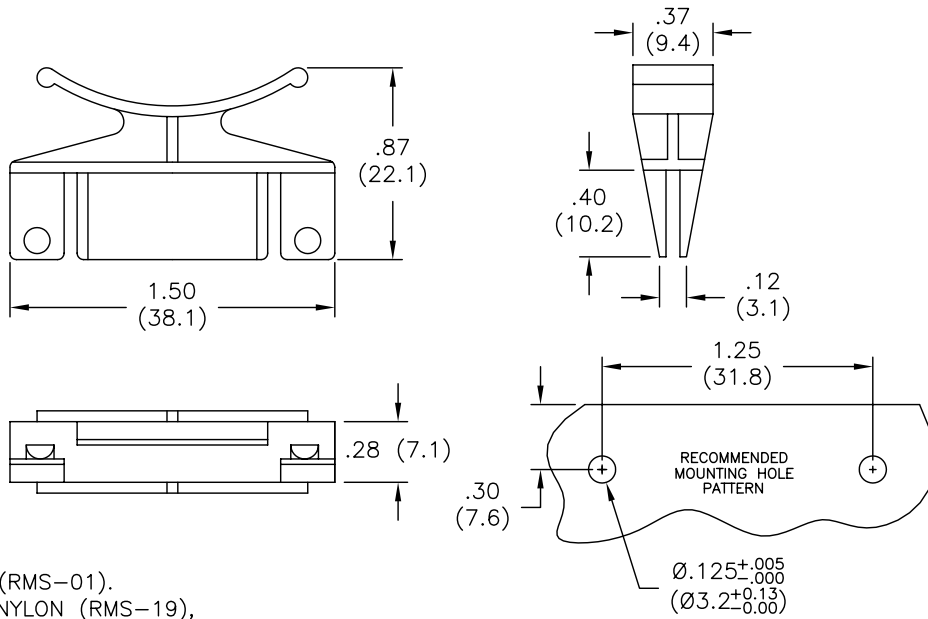
Click to view price, real time Inventory, Delivery & Lifecycle Information:

[Essentra Components \(formerly Richco, Inc.\)](#)

[CCP-1-01](#)

For any questions, you can email us directly:

sales@integrated-circuit.com



NOTES:

- MAT'L: NYLON 6/6 (RMS-01).
FLAME RETARDANT, NYLON (RMS-19),
AVAILABLE BY SPECIAL ORDER ONLY.
- COLOR: NATURAL.
- DESIGNED FOR SNAP-FIT INTO A
1/16 (1.6) NOMINALLY THICK BOARD

TITLE: CIRCUIT CARD PULLER		DWG IN IN (MM)		FINAL	
TOLERANCES UNLESS NOTED .XX=±.010 .XXX=±.005 FRAC=±1/64 ANG=±1°	FILE # CCP-1	DWN: R.S.	APP:	PART #	PRINT TYPE
	MAT'L: SEE NOTES	DT: 12-22-93	DT:	CCP-1-01	CA
	RE: RICHCO, INC.	RICHCO INC. PO BOX 804238, CHICAGO, 60680 (773) 539-4060			

B	ADDED NOTE 3 AND CHANGED FILE NUMBER	SM 05.08.02
A	MAT'L RMS-19 ADDED	J.L. 12.10.97
REV	DESCRIPTION	ENGR DATE