



## Excellent Integrated System Limited

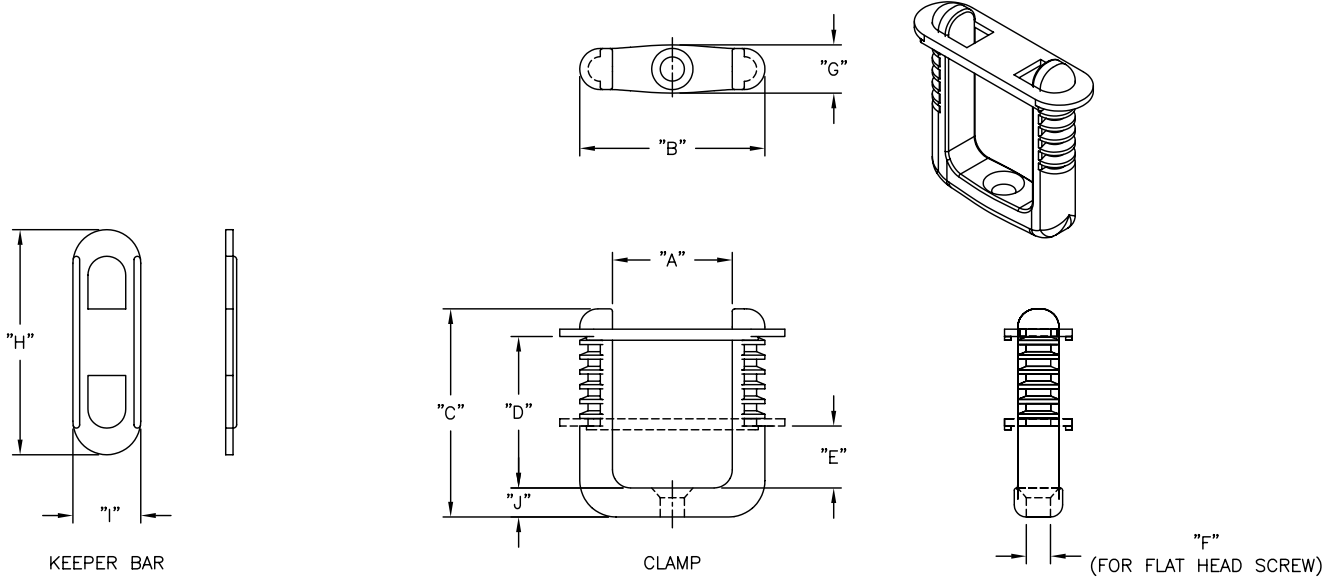
Stocking Distributor

Click to view price, real time Inventory, Delivery & Lifecycle Information:

[Essentra Components \(formerly Richco, Inc.\)](#)  
[D-1](#)

For any questions, you can email us directly:  
[sales@integrated-circuit.com](mailto:sales@integrated-circuit.com)

PART NO.	DIM. "A"	DIM. "B"	DIM. "C"	DIM. "D"	DIM. "E"	DIM. "F"	DIM. "G"	DIM. "H"	DIM. "I"	DIM. "J"
D-1	.990 (25.1)	1.53 (38.9)	1.72 (43.7)	1.25 (31.8)	.51 (13.0)	.200 (5.1)	.40 (10.2)	1.86 (47.2)	.56 (14.2)	.24 (6)
D-1.5	1.457 (37.0)	2.175 (55.2)	2.23 (56.6)	1.65 (41.9)	.66 (16.8)		.46 (11.7)	2.47 (62.7)	.70 (17.8)	.31 (7.9)



NOTES:

- MATERIAL: NYLON 6/6 (RMS-01).  
FLAME RETARDANT NYLON (RMS-19),  
AVAILABLE BY SPECIAL ORDER ONLY.
- COLOR: NATURAL.
- ALL DIMENSIONS ARE FOR REFERENCE ONLY.

REV		DESCRIPTION		ENGR DATE		TITLE: D-CLAMPS		DWG IN IN (MM)		FINAL		PRINT TYPE	
E		SEE ECN #1273 FOR CHANGES	SK 01.18.07			FILE # D-CLAMPS	DWN: S.M.	APP:					
D		ADDED TABLE, PART NO. D-1.5 AND NOTE 3.	SM 07.27.01			MAT'L: SEE NOTES	DT: 06/06/01	DT:					
C		REMOVED D-.250, D-.500 AND D-1.5; RE-DRAWN AND UPDATED	SM 06.06.01			RE: RICHCO, INC.							
B		MAT'L RMS-19 ADDED	JL 04.04.00										
A		CONVERTED TO ACAD	PB 03.31.95										
REV													

TOLERANCES UNLESS NOTED  
 .XX=±.010  
 .XXX=±.005  
 FRAC=±1/64  
 ANG=±1'

RICHCO INC.  
 PO BOX 804238, CHICAGO, 60680  
 (773) 539-4060

PART # SEE TABLE  
 PRINT TYPE CA