



Excellent Integrated System Limited

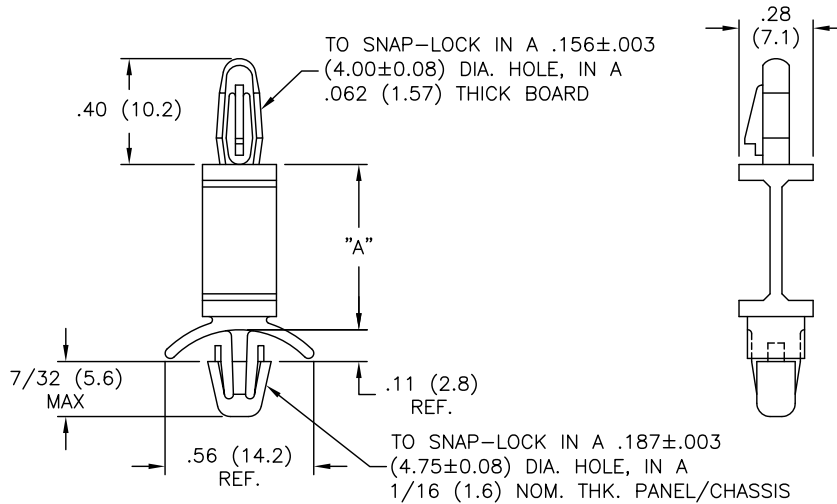
Stocking Distributor

Click to view price, real time Inventory, Delivery & Lifecycle Information:

[Essentra Components \(formerly Richco, Inc.\)
FLCBS-6-01](#)

For any questions, you can email us directly:
sales@integrated-circuit.com

PART NO.	DIM. "A"
FLCBS-6-01	3/8 (9.5)
FLCBS-7-01	7/16 (11.1)
FLCBS-8-01	1/2 (12.7)
FLCBS-10-01	5/8 (15.9)
FLCBS-12-01	3/4 (19.1)
FLCBS-14-01	7/8 (22.2)
FLCBS-16-01	1 (25.4)
FLCBS-18-01	1-1/8 (28.6)
FLCBS-20-01	1-1/4 (31.8)
FLCBS-22-01	1-3/8 (34.9)



NOTES:

- MAT'L: NYLON 6/6 (RMS-01).
FLAME RETARDANT, NYLON 6/6 (RMS-19),
AVAILABLE BY SPECIAL ORDER-NAFTA REGION ONLY.
- COLOR: NATURAL.

C	SEE CO 200600 FOR CHANGES	SK 11.30.10	TITLE: FLEXIBLE CIRCUIT BOARD SUPPORT TOLERANCES UNLESS NOTED .XX=±.010 .XXX=±.005 FRAC=±1/64 ANG=±1°	FILE # FLCBS	DWN: S.K.	APP:	DWG IN IN (MM) FINAL PART # SEE TABLE PRINT TYPE CA
F	SEE CO 200598 FOR CHANGES	SK 11.19.10		MAT'L: SEE NOTES	DT: 12.04.08	DT:	
E	SEE CO 200596 FOR CHANGES	SK 11.09.10		RE: RICHCO, INC.	RICHCO INC. PO BOX 804238, CHICAGO, 60680 (773) 539-4060		
D	SEE CO 200288 FOR CHANGES	SK 12.04.08					
C	SEE ECN #862 FOR CHANGES	SM 10.04.04					
B	CHANGED FILE NO. AND TITLE BLOCK	SM 05.14.02					
A	MAT'L RMS-19 ADDED	J.L. 12.10.97					
REV	DESCRIPTION	ENGR DATE					