

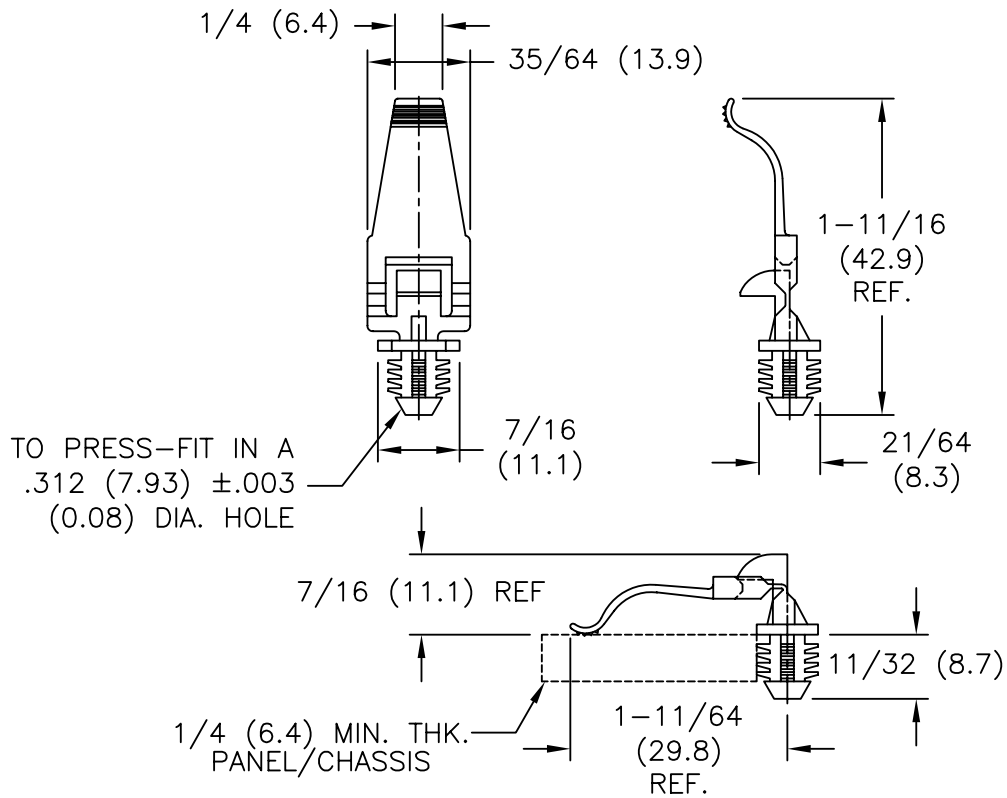
## **Excellent Integrated System Limited**

Stocking Distributor

Click to view price, real time Inventory, Delivery & Lifecycle Information:

[Essentra Components \(formerly Richco, Inc.\)](#)  
[HFCC-BH-8-01](#)

For any questions, you can email us directly:  
[sales@integrated-circuit.com](mailto:sales@integrated-circuit.com)



NOTES:

1. MATERIAL: NYLON 6/6 (RMS-01).
2. COLOR: NATURAL.

A	CHANGED FILE NO.	SM 06.13.02
R E V	DESCRIPTION	ENGR DATE

TITLE: HINGED FLAT CABLE CLAMP, BLINDHOLE BASE



TOLERANCES UNLESS NOTED .XX=±.010 .XXX=±.005 FRAC=±1/64 ANG=±1°	FILE # HFCC-BH-8	DWN: P.B.	APP:	FINAL	
	MAT'L: SEE NOTES	DT: 11-16-94	DT:	PART #	PRINT TYPE
	RE: RICHCO, INC.	RICHCO INC. PO BOX 804238, CHICAGO, 60680 (773) 539-4060		HFCC-BH-8-01	CA