



Excellent Integrated System Limited

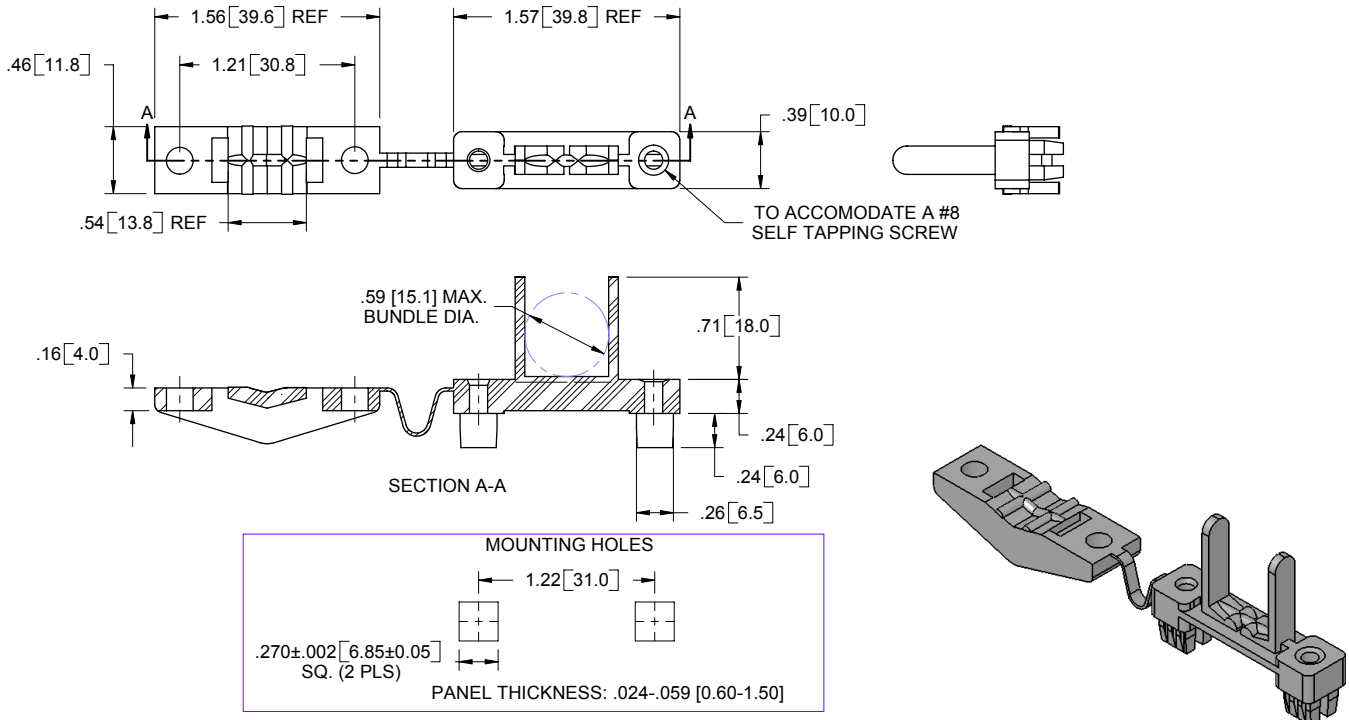
Stocking Distributor

Click to view price, real time Inventory, Delivery & Lifecycle Information:

[Essentra Components \(formerly Richco, Inc.\)](#)
[HMCC-1-01](#)

For any questions, you can email us directly:
sales@integrated-circuit.com

AVAILABLE BY SPECIAL ORDER- NAFTA REGION ONLY



- NOTES:
 1. MATERIAL: NYLON 6/6 (RMS-01).
 2. COLOR: NATURAL.
 3. FLAME RETARDANT NYLON 6/6 (RMS-19),
 AVAILABLE BY SPECIAL ORDER ONLY.
 TO ORDER REPLACE "-01" WITH "-19"

TITLE: HINGED MAIN CABLE CLAMP		DWG IN IN [MM]		FINAL	
CREATED USING SOLIDWORKS	FILE #: HMCC-1	DWN: SK	APP: -	PART #	
TOLERANCES UNLESS NOTED XX±.010 XXX±.005 FRAC: ±.1/64 ANG: ±1°	SHEET: 1 OF 1	DT: 04/07/05	CHKD: -	HMCC-1-01	
RE: RICHCO, INC.	RICHCO, INC. ENG@RICHCO-INC.COM (773) 539-4060		PRINT TYPE		CA

C	REDRAWN. SEE ECN #976 FOR CHANGES	SK	04/07/05
-	SEE ENGINEERING FOR REV. A-B	-	-
REV.	DESCRIPTION	ENGR.	DATE