



Excellent Integrated System Limited

Stocking Distributor

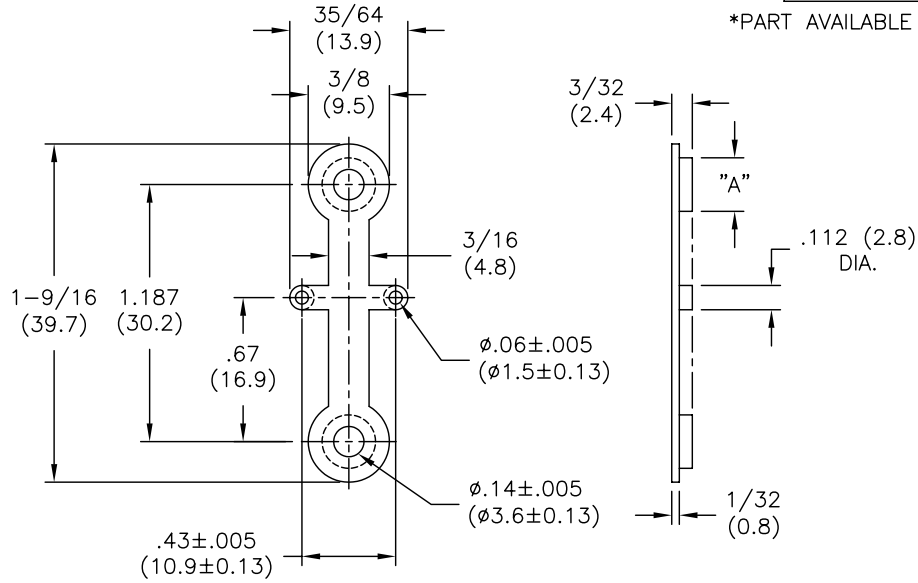
Click to view price, real time Inventory, Delivery & Lifecycle Information:

[Essentra Components \(formerly Richco, Inc.\)](#)
[IEC-TO3-3-18](#)

For any questions, you can email us directly:
sales@integrated-circuit.com

PART NO.	"A" DIA.
IEC-TO3-3-18	.184 (4.7) TO FIT .187 (4.8) DIA. HOLE
*IEC-TO3-4-18	.247 (6.3) TO FIT .250 (6.4) DIA. HOLE

*PART AVAILABLE BY SPECIAL ORDER ONLY



NOTES:

1. MATERIAL: GLASS FILLED NYLON (RMS-18).
2. COLOR: BLACK

TITLE: TO-3 INSULATOR, BASE		DWG IN IN (MM)	FINAL	PRINT TYPE
TOLERANCES UNLESS NOTED .XX=±.010 .XXX=±.005 FRAC=±1/64 ANG=±1°	FILE # IEC-TO3 MAT'L: SEE NOTES	DWN: JB/PB DT: 01/05/95	APP: DT:	CA
RE: RICHCO, INC.	RICHCO INC. PO BOX 804238, CHICAGO, 60680 (773) 539-4060	PART # SEE TABLE		
B SEE CO 200035 FOR CHANGES A UPDATED DIMENSIONS AND CHANGED FILE NO. REV DESCRIPTION	SK 09.26.07 SM 06.19.02 ENGR DATE			