

## Excellent Integrated System Limited

Stocking Distributor

Click to view price, real time Inventory, Delivery & Lifecycle Information:

[Harwin Inc.](#)

[H2083-01](#)

For any questions, you can email us directly:

[sales@integrated-circuit.com](mailto:sales@integrated-circuit.com)

# Customer Information Sheet

DRAWING No.: H2083-01

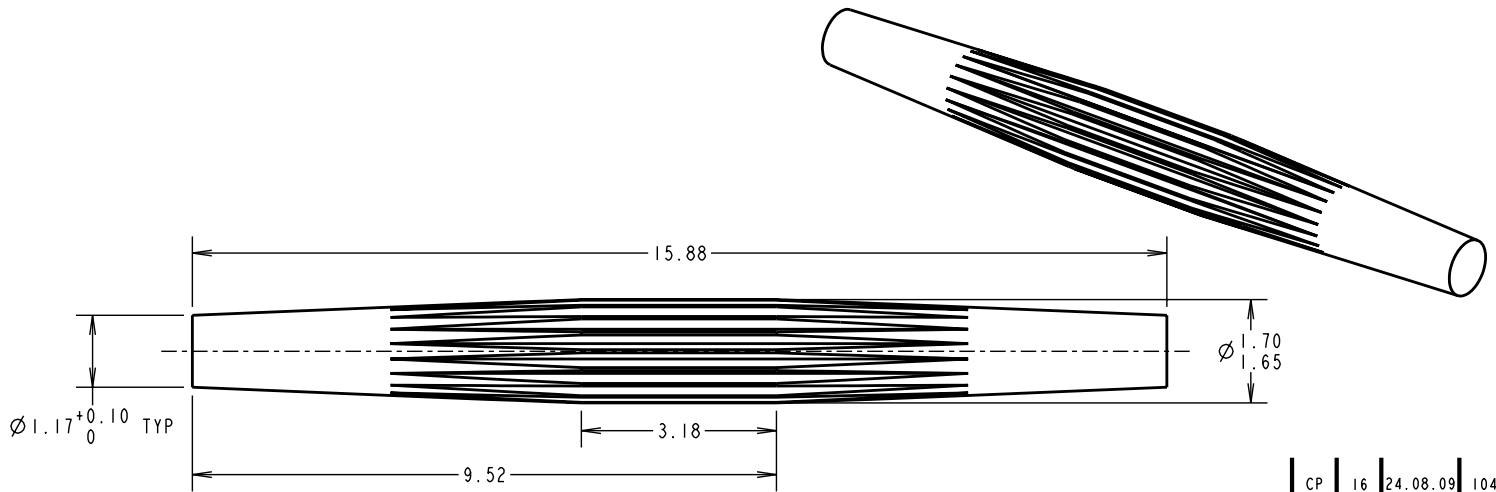
IF IN DOUBT - ASK

©

NOT TO SCALE

THIRD ANGLE PROJECTION

ALL DIMENSIONS IN mm



**NOTES:**

1. RECOMMENDED PANEL THICKNESS = 3.20mm.
2. RECOMMENDED MOUNTING HOLE SIZE FOR PAPER-BASED PANEL =  $\varnothing 1.55$   
RECOMMENDED MOUNTING HOLE SIZE FOR EPOXY-GLASS PANEL =  $\varnothing 1.60$
3. PUNCH & DIE TOOL PART No. = Z2083-00

CP	16	24.08.09	10441
NAME	ISS.	DATE	C/NOTE
APPROVED: C.PENROSE			
CHECKED: R.ADDE			
DRAWN: PETER COLLINS			
CUSTOMER REF.:			
ASSEMBLY DRG:			

**HARWIN**

THIS DRAWING AND ANY INFORMATION OR DESCRIPTIVE MATTER SET OUT HEREON ARE CONFIDENTIAL AND COPYRIGHT PROPERTY OF THE HARWIN GROUP AND MUST NOT BE DISCLOSED, LOANED, COPIED OR USED FOR MANUFACTURING, TENDERING OR FOR ANY OTHER PURPOSE WITHOUT THEIR WRITTEN PERMISSION.

**TOLERANCES**

X. =  $\pm 1$ mm  
X.X =  $\pm 0.25$ mm  
X.XX =  $\pm 0.10$ mm  
X.XXX =  $\pm 0.01$ mm  
ANGLES =  $\pm 5^\circ$   
UNLESS STATED

**MATERIAL:**

BRASS CW614N M  
TO BS EN 12164 (CuZn39Pb3)

**TITLE:**

TERMINAL PIN

HARWIN USA  
TEL: 603 893 5376  
FAX: 603 893 5396  
mis@harwin.com

HARWIN Europe (UK)  
TEL: 023 9231 4545  
FAX: 023 9231 4590  
mis@harwin.co.uk

HARWIN Asia  
TEL: +65 6 779 4909  
FAX: +65 6 779 3868  
mis@harwin.com.sg

FINISH: 100% TIN OVER NICKEL

S/AREA: mm<sup>2</sup>

DRAWING NUMBER:

H2083-01

SHT  
2 OF 2