



Excellent Integrated System Limited

Stocking Distributor

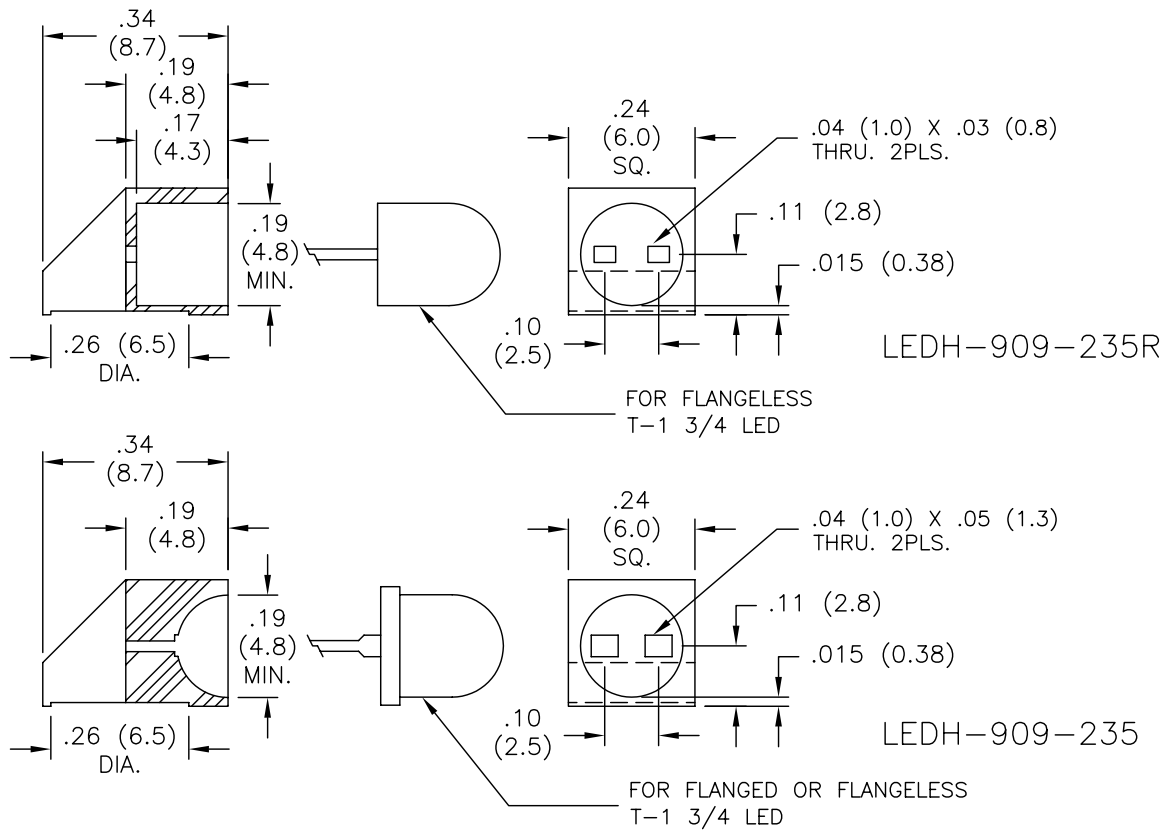
Click to view price, real time Inventory, Delivery & Lifecycle Information:

[Essentra Components \(formerly Richco, Inc.\)](#)

[LEDH-909-235R](#)

For any questions, you can email us directly:

sales@integrated-circuit.com



NOTES:

1. MATERIAL: NYLON 6/6 UL94V-2.
2. COLOR: BLACK.

A	CHANGED FILE NO.	SM 08.08.02
REV	DESCRIPTION	ENGR DATE

TITLE: 90 DEGREE LED HOLDER				DWG IN IN (MM)	FINAL
TOLERANCES UNLESS NOTED .XX=±.010 .XXX=±.005 FRAC=±1/64 ANG=±1°	FILE # LEDH-909	DWN: J.B.	APP:	PART #	
MAT'L: SEE NOTES	RE: RICHCO, INC.	DT: 12-12-96	DT:	SEE ABOVE	
RICHCO INC. PO BOX 804238, CHICAGO, 60680 (773) 539-4060				PRINT TYPE CA	