

## **Excellent Integrated System Limited**

Stocking Distributor

Click to view price, real time Inventory, Delivery & Lifecycle Information:

[Harwin Inc.](#)  
[M80-8231722](#)

For any questions, you can email us directly:  
[sales@integrated-circuit.com](mailto:sales@integrated-circuit.com)

# Customer Information Sheet

DRAWING No.: M80-823XXXX

SHEET 2 OF 2

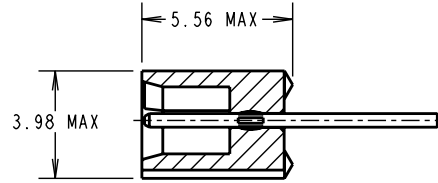
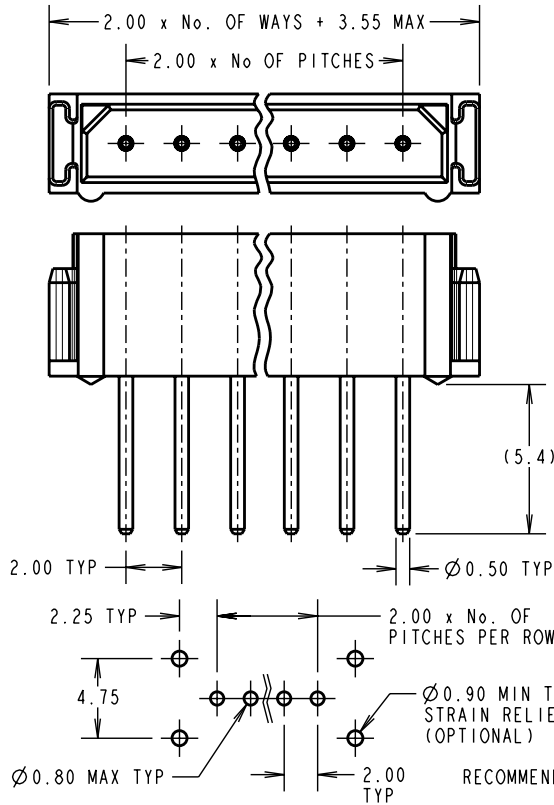
IF IN DOUBT - ASK

©

NOT TO SCALE

THIRD ANGLE PROJECTION

ALL DIMENSIONS IN mm



**SPECIFICATIONS:**

**MATERIAL:**  
MOULDING = POLYAMIDE 46 UL94V-0, BLACK  
CONTACTS = PHOSPHOR BRONZE

**FINISH:**  
**CONTACTS:**  
22 = 0.75µ GOLD ON CONTACT AREA.  
3.0µ 90/10 TIN/LEAD ON TAILS  
42 = 0.75µ GOLD ON CONTACT AREA.  
3.0µ 100% TIN ON TAILS  
45 = 0.75µ GOLD

**ELECTRICAL:**  
CURRENT RATING (25°C) = 3.0A MAX.  
CURRENT RATING (85°C) = 2.2A MAX.  
WORKING VOLTAGE = 120V AC/DC  
VOLTAGE PROOF = 360V AC/DC  
**CONTACT RESISTANCE:**  
INITIAL = 20 mΩ MAX.  
AFTER CONDITIONING = 25 mΩ MAX.  
**INSULATION RESISTANCE:**  
INITIAL = 1000 MΩ MIN.  
AFTER CONDITIONING = 100 MΩ MIN.

**MECHANICAL:**  
DURABILITY = 500 OPERATIONS

**ENVIRONMENTAL:**  
TEMPERATURE RANGE = -55°C TO +125°C

**PACKING:**  
TUBE  
FOR COMPLETE SPECIFICATION, SEE  
COMPONENT SPEC. C005XXX (LATEST ISSUE)

**NOTES:**  
1. 2-OFF STRAIN RELIEF STRAPS  
MAY BE USED WITH EACH  
CONNECTOR.

ORDER CODE:

**M80-823XXXX**

TOTAL No. OF WAYS \_\_\_\_\_  
02, 03, 04, 05, 06,  
07, 17 & 22

FINISH:

22 = SELECTIVE GOLD + TIN/LEAD  
42 = SELECTIVE GOLD + 100% TIN  
45 = GOLD

CP	5	30.09.09	10303
NAME	ISS.	DATE	C/NOTE
APPROVED: C.PENROSE			
CHECKED: R.ADDE			
DRAWN: I SANDY			
CUSTOMER REF.:			
ASSEMBLY DRG:			

**HARWIN**

THIS DRAWING AND ANY INFORMATION OR DESCRIPTIVE MATTER SET OUT HEREON ARE CONFIDENTIAL AND COPYRIGHT PROPERTY OF THE HARWIN GROUP AND MUST NOT BE DISCLOSED, LOANED, COPIED OR USED FOR MANUFACTURING, TENDERING OR FOR ANY OTHER PURPOSE WITHOUT THEIR WRITTEN PERMISSION.

**TOLERANCES**  
X. = ±1mm  
X.X = ±0.25mm  
X.XX = ±0.10mm  
X.XXX = ±0.01mm  
ANGLES = ±5°  
UNLESS STATED

**MATERIAL:** SEE ABOVE  
**FINISH:** SEE ABOVE  
**S/AREA:** mm<sup>2</sup>

**TITLE:** DATAMATE SIL  
VERTICAL PC TAIL PLUG  
ASSEMBLY - UNLATCHED

**HARWIN USA**  
TEL: 603 893 5376  
FAX: 603 893 5396  
mis@harwin.com

**HARWIN Europe (UK)**  
TEL: 023 9231 4545  
FAX: 023 9231 4590  
mis@harwin.co.uk

**HARWIN Asia**  
TEL: +65 6 779 4909  
FAX: +65 6 779 3868  
mis@harwin.com.sg

**DRAWING NUMBER:** M80-823XXXX

SHT 2 OF 2