

Excellent Integrated System Limited

Stocking Distributor

Click to view price, real time Inventory, Delivery & Lifecycle Information:

[Harwin Inc.](#)
[R6350-02](#)

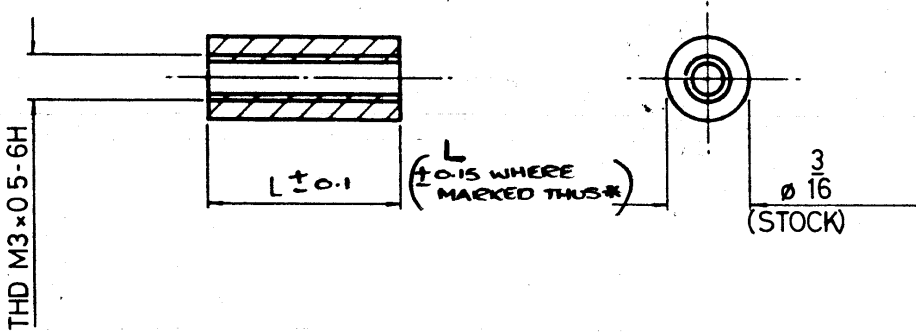
For any questions, you can email us directly:
sales@integrated-circuit.com

DRAWING NUMBER
 R6350-02 -
 R6355-02



THIRD ANGLE PROJECTION

DO NOT SCALE



NOTE

1. THD. TO BE MANU. IN ACCORDANCE WITH BS 3643 PT.2 1966
2. 0.25 CHAMFER FOR LEAD IN ON THREAD. REMOVE ALL BURRS.

| | | | | | |
|------------|------------------------------|-----|--------|---------------------------|--|
| R 6350-02 | 9.878 | 125 | 318 | 13 | 1081 |
| R6355 - 02 | 485.873 | 750 | *19-05 | 12 | 8/186 932 |
| R6354 - 02 | 408.592 | 625 | *15-88 | 11 | 5-3-79 FINISH WAS DIP 8/8 WAS MA111573-0 75 MA111912-0 |
| R6353 - 02 | 331.066 | 500 | 12-70 | 10 | 1-11-78 |
| R6352 - 02 | 253.785 | 375 | 9-52 | 1 | 4572 |
| R6351 - 02 | 176.260 | 250 | 6-35 | ISS. DATE CHANGE | |
| PART NO | SURFACE AREA MM ² | IN | mm | APPD. <i>[Signature]</i> | |
| | | L | | CHKD. <i>[Signature]</i> | |
| | | | | DRAWN <i>[Signature]</i> | |
| | | | | OLD REF. R605/30-R6055/30 | |
| | | | | ASSY. DRAWING | |

HARWIN ENGINEERS S.A.
 PORTSMOUTH PO6 1RT

MATERIAL BRASS BS2874 CZ121
 TITLE

FINISH (NICKEL PLATE) F02.01

THREADED SPACER - ROUND

TOLERANCES
 FRAC. ± 1/64 DEC ± .005 MM ±
 DIMS. IN INCH(mm) SCALE —

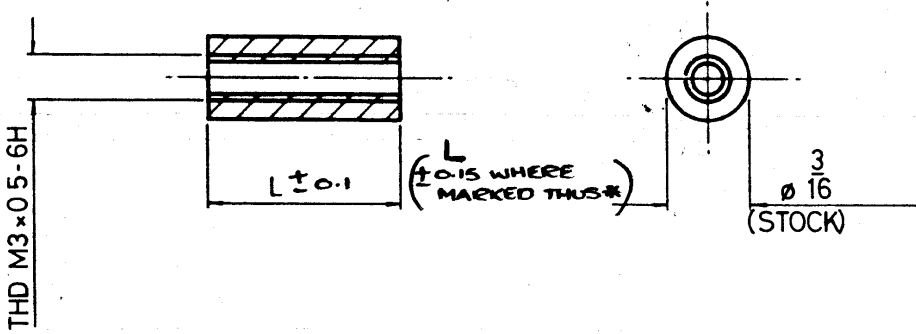
DRAWING NUMBER
 R6350-02 —
 R6355-02

DRAWING NUMBER
 R6350-02 -
 R6355-02



THIRD ANGLE PROJECTION

DO NOT SCALE



NOTE

1. THD. TO BE MANU. IN ACCORDANCE WITH BS 3643 PT.2 1966
2. 0.25 CHAMFER FOR LEAD IN ON THREAD. REMOVE ALL BURRS.

| | | | | | |
|------------|------------------------------|-----|--------|---------------------------|--|
| R 6350-02 | 9.878 | 125 | 318 | 13 | 1081 |
| R6355 - 02 | 485.873 | 750 | *19-05 | 12 | 8/186 932 |
| R6354 - 02 | 408.592 | 625 | *15-88 | 11 | 5-3-79 FINISH WAS DTD 8/8 WAS MATHS 11/9/2-0 |
| R6353 - 02 | 331.066 | 500 | 12-70 | 10 | 1-11-78 |
| R6352 - 02 | 253.785 | 375 | 9-52 | 1 | 4572 |
| R6351 - 02 | 176.260 | 250 | 6-35 | ISS. DATE CHANGE | |
| PART NO | SURFACE AREA MM ² | IN | mm | APPD. <i>[Signature]</i> | |
| | | | | CHKD. <i>[Signature]</i> | |
| | | | | DRAWN <i>[Signature]</i> | |
| | | | | OLD REF. R605/30-R6055/30 | |
| | | | | ASSY. DRAWING | |

HARWIN ENGINEERS S.A.
 PORTSMOUTH PO6 1RT

MATERIAL BRASS BS2874 CZ121
 TITLE

FINISH (NICKEL PLATE) F02.01

THREADED SPACER - ROUND

TOLERANCES
 FRAC. ± 1/64 DEC ± .005 MM ±
 DIMS. IN INCH(mm) SCALE —

DRAWING NUMBER
 R6350-02 —
 R6355-02