

## Excellent Integrated System Limited

Stocking Distributor

Click to view price, real time Inventory, Delivery & Lifecycle Information:

[Harwin Inc.](#)  
[R6356-02](#)

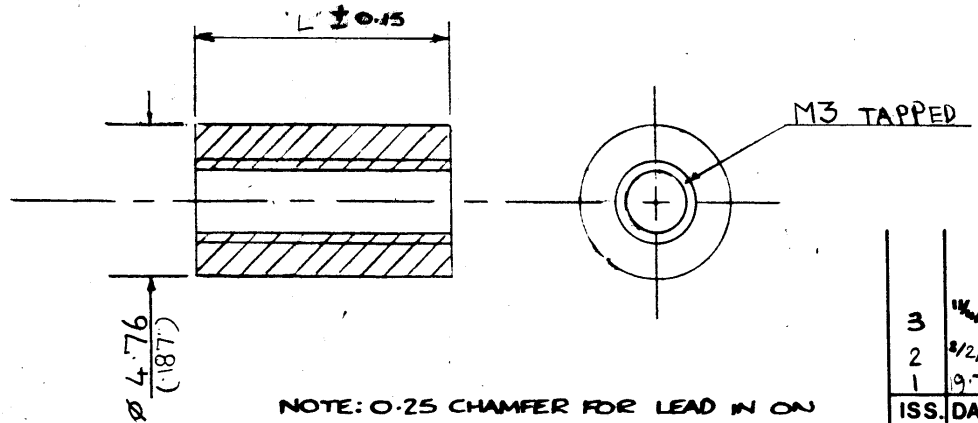
For any questions, you can email us directly:  
[sales@integrated-circuit.com](mailto:sales@integrated-circuit.com)

DRAWING NUMBER  
 R6356-02  
 R6357-02



THIRD ANGLE PROJECTION

DO NOT SCALE



NOTE: 0.25 CHAMFER FOR LEAD IN ON  
 THREAD. REMOVE ALL BURRS.

3	10/1/06	1081
2	8/2/06	932
1	9/3/79	—
ISS.	DATE	CHANGE
APPD.	<i>[Signature]</i>	
CHKD.	<i>[Signature]</i>	
DRAWN	<i>[Signature]</i>	
HARWIN REF.		
ASSY. DRAWING		
DRAWING NUMBER		R6356-02
DRAWING NUMBER		R6357-02

R6356-02	563-398	22.23	.875
R6357-02	640-680	25.40	1.000
PART NO	SURFACE AREA MM <sup>2</sup>	MM	INCH
		L	

CAM NO	MACH. NO

**HARWIN ENGINEERS S.A.**  
 PORTSMOUTH P06 IRT

MATERIAL BRASS 32874 CZ121  
 TITLE (ROUND)  
 THREADED SPACER

FINISH (NICKEL PLATE) F0201  
 TOLERANCES  
 FRAC. ± 1/64 DEC ± .005 MM ± .13  
 DIMS. IN MM (in) SCALE —