

Customer Information Sheet

DRAWING No.: T1563-46

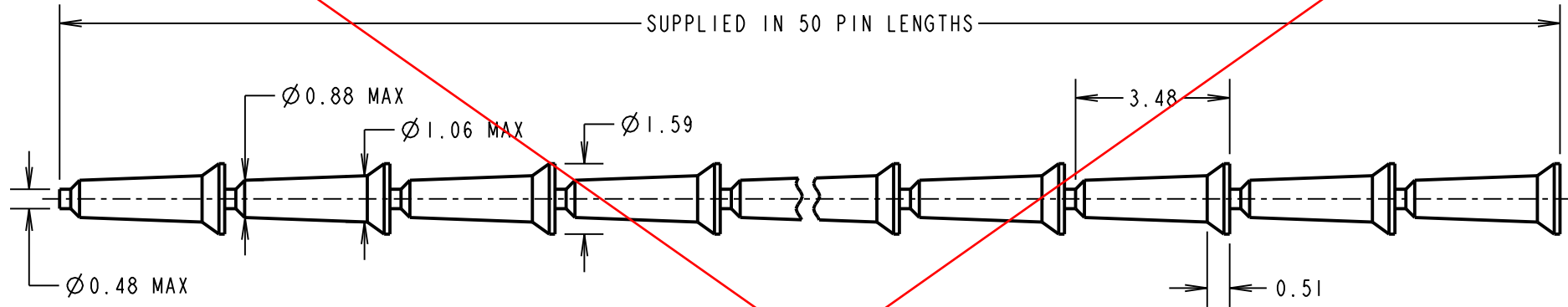
IF IN DOUBT - ASK

©

NOT TO SCALE

THIRD ANGLE PROJECTION

ALL DIMENSIONS IN mm



OBSOLETE

NOTES:

1. STRIPS ARE PACKED IN BOXES, 50 STRIPS PER BOX (QUANTITY 2500 PINS PER BOX).
2. USE WITH TRACK PIN INSERTION TOOL Z1002-00 AND INSTRUCTION SHEET IS-06.
3. RECOMMENDED MOUNTING HOLE SIZE = $\varnothing 1.00 +0.00/-0.03$ IN A 1.60mm THICK BOARD.
4. THESE ITEMS ARE RoHS COMPLIANT.

SM	13	23.11.11	11554
NAME	ISS.	DATE	C/NOTE
APPROVED: S. MCCULLAGH			
CHECKED: M. G. PLESTED			
DRAWN: J. PETERS			
CUSTOMER REF.:			
ASSEMBLY DRG:			

HARWIN

www.harwin.com
technical@harwin.com

THIS DRAWING AND ANY INFORMATION OR DESCRIPTIVE MATTER SET OUT HEREON ARE CONFIDENTIAL AND COPYRIGHT PROPERTY OF THE HARWIN GROUP AND MUST NOT BE DISCLOSED, LOANED, COPIED OR USED FOR MANUFACTURING, TENDERING OR FOR ANY OTHER PURPOSE WITHOUT THEIR WRITTEN PERMISSION.

TOLERANCES

X. = $\pm 1\text{mm}$
 X.X = $\pm 0.25\text{mm}$
 X.XX = $\pm 0.10\text{mm}$
 X.XXX = $\pm 0.01\text{mm}$
 ANGLES = $\pm 5^\circ$
 UNLESS STATED

MATERIAL:

(BRASS CW614N M (CuZn39Pb3) TO BS EN 12164:1998)

FINISH: 100% TIN OVER NICKEL

S/AREA: mm²

TITLE:

CONTINUOUS TRACK PIN

DRAWING NUMBER:

T1563-46

SHT
2
OF
2