

## Excellent Integrated System Limited

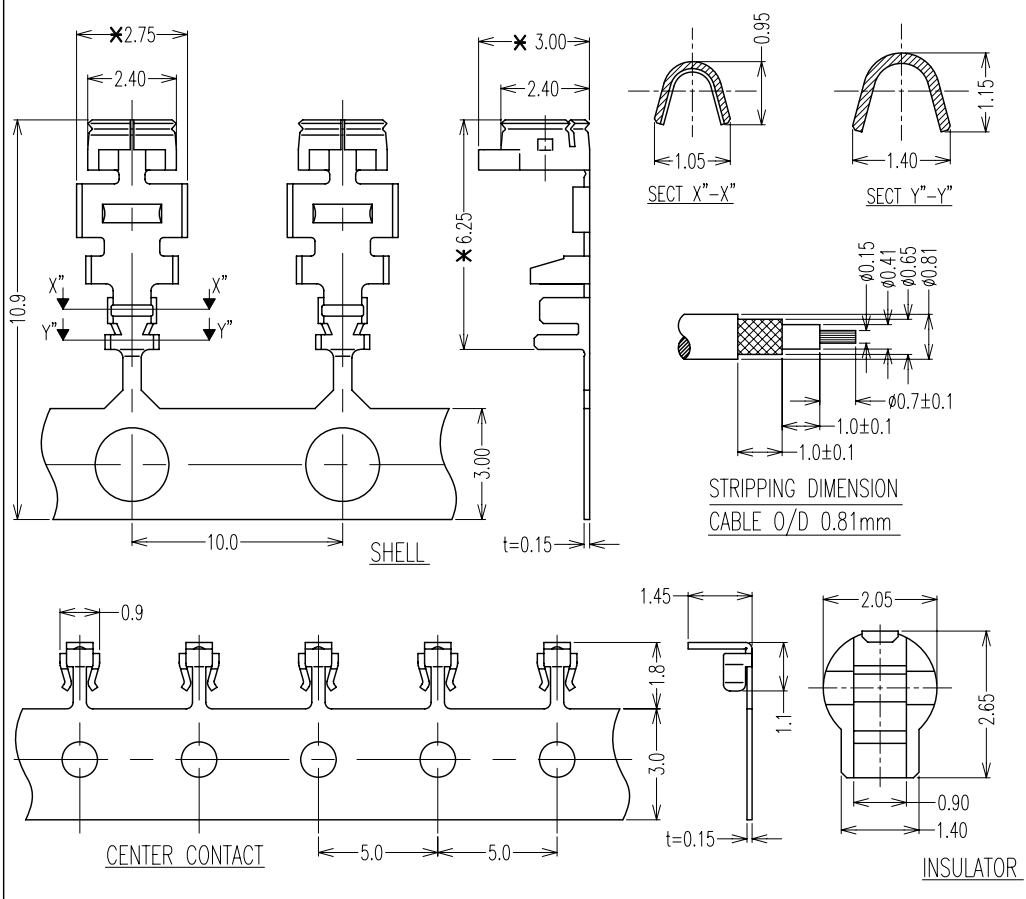
Stocking Distributor

Click to view price, real time Inventory, Delivery & Lifecycle Information:

[Harwin Inc.](#)  
[UMCP-8020005](#)

For any questions, you can email us directly:  
[sales@integrated-circuit.com](mailto:sales@integrated-circuit.com)

DRAWING No.: UMCP-8020005	IF IN DOUBT - ASK	©	NOT TO SCALE	THIRD ANGLE PROJECTION	ALL DIMENSIONS IN mm
---------------------------	-------------------	---	--------------	------------------------	----------------------



**SPECIFICATIONS:**  
**MATERIAL:-**  
 INSULATOR: PBT + 15% G.F  
 CONNECTOR SHELL: PHOSPHOR BRONZE  
 CENTER CONTACT: PHOSPHOR BRONZE  
**FINISH:-**  
 CONNECTOR SHELL: SILVER PLATING  
 CENTER CONTACT: GOLD PLATING  
**ELECTRICAL:-**  
 VOLTAGE PROOF: 200 V AC FOR 1 MINUTE  
 CONTACT RESISTANCE: 20 mΩ MAX. FOR CENTER CONTACT  
 10 mΩ MAX. FOR OUTSIDE CONTACT  
 INSULATION RESISTANCE: 500 MΩ MIN.  
 MEASURED AT 100 V DC  
**MECHANICAL:-**  
 WITHDRAWAL FORCE: 0.15N MIN.  
**ENVIRONMENTAL:-**  
 TEMPERATURE RANGE: -40°C TO +90°C

**NOTES:** ALL DIMENSIONS AND NOTES MARKED \* ARE CRITICAL AND MUST BE CHECKED IN ACCORDANCE WITH QUALITY DOC. Q1-02A

**NOTES:** REMOVE ALL BURRS & SHARP EDGES 0.25 MAX MACHINE FILLET R0.25 MAX. ALL DIAS. TO BE CONCENTRIC WITHIN .125 T.I.R INTERPRETATION PER MIL STD 8 10 & 12

Allan	1	01.08.06	-
NAME	ISS.	DATE	C/NOTE
APPROVED: <i>Ben</i>			
CHECKED: <i>Ben</i>			
DRAWN: Allan			
CUSTOMER REF.:			
ASSEMBLY DRG:			

			THIS DRAWING AND ANY INFORMATION OR DESCRIPTIVE MATTER SET OUT HEREON ARE CONFIDENTIAL AND COPYRIGHT PROPERTY OF THE HARWIN GROUP AND MUST NOT BE DISCLOSED, LOANED, COPIED OR USED FOR MANUFACTURING, TENDERING OR FOR ANY OTHER PURPOSE WITHOUT THEIR WRITTEN PERMISSION.	<b>TOLERANCES</b> X. = ±1mm X.X = ±0.25mm X.XX = ±0.10mm X.XXX = ±0.01mm ANGLES = ±5° UNLESS STATED	<b>MATERIAL:</b> SEE NOTES	<b>TITLE:</b> RF CONNECTOR CABLE PLUG (SHELL, INSULATOR, CENTER CONTACT)
<b>HARWIN USA</b> TEL: 603 893 5376 FAX: 603 893 5396 mis@harwin.com	<b>HARWIN Europe (UK)</b> TEL: 023 9231 4545 FAX: 023 9231 4590 mis@harwin.co.uk	<b>HARWIN Asia</b> TEL: +65 6 779 4909 FAX: +65 6 779 3868 mis@harwin.com.sg			<b>FINISH:</b> SEE NOTES	
				<b>S/AREA:</b> mm <sup>2</sup>		