

## Excellent Integrated System Limited

Stocking Distributor

Click to view price, real time Inventory, Delivery & Lifecycle Information:

[Harwin Inc.](#)  
[Z125-902](#)

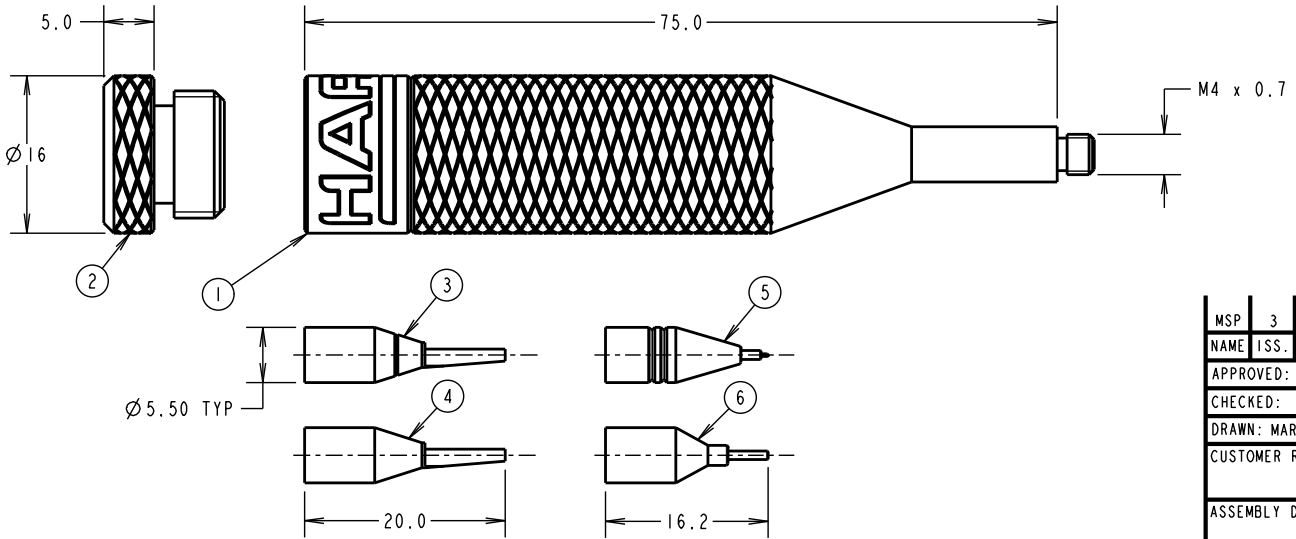
For any questions, you can email us directly:  
[sales@integrated-circuit.com](mailto:sales@integrated-circuit.com)

# Customer Information Sheet

DRAWING No.: Z125-902      IF IN DOUBT - ASK      ©      NOT TO SCALE      THIRD ANGLE PROJECTION      ALL DIMENSIONS IN mm

No.	DESCRIPTION
1	HANDLE BODY
2	CAP FOR HANDLE
3	INSERTION TIP 26/28 AWG Ø0.80 MAX INS.
4	INSERTION TIP 30/32 AWG Ø0.65 MAX INS.
5	REMOVAL TIP FEMALE CONTACT
6	REMOVAL TIP MALE CONTACT

NOTES:  
1. SEE INSTRUCTION SHEET IS-38.



MSP	3	06.11.14	12654
NAME	ISS.	DATE	C/NOTE
APPROVED: M.PERREN			
CHECKED: M.PLESTED			
DRAWN: MARK G PLESTED			
CUSTOMER REF.:			
ASSEMBLY DRG:			

**HARWIN**

www.harwin.com  
technical@harwin.com

THIS DRAWING AND ANY INFORMATION OR DESCRIPTIVE MATTER SET OUT HEREON ARE CONFIDENTIAL AND COPYRIGHT PROPERTY OF THE HARWIN GROUP AND MUST NOT BE DISCLOSED, LOANED, COPIED OR USED FOR MANUFACTURING, TENDERING OR FOR ANY OTHER PURPOSE WITHOUT THEIR WRITTEN PERMISSION.

TOLERANCES  
 X. = ±1mm  
 X.X = ±0.25mm  
 X.XX = ±0.10mm  
 X.XXX = ±0.01mm  
 ANGLES = ±5°  
 UNLESS STATED

MATERIAL:  
 FINISH:  
 S/AREA: mm<sup>2</sup>

TITLE:  
G125 GECKOP CRIMP CONTACT  
INSERTION / REMOVAL TOOL KIT

DRAWING NUMBER:  
Z125-902

SHT  
2 OF 2