



Excellent Integrated System Limited

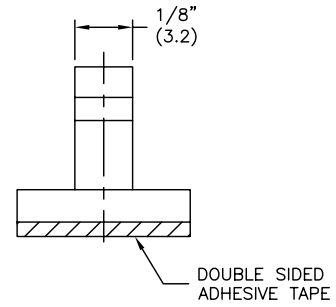
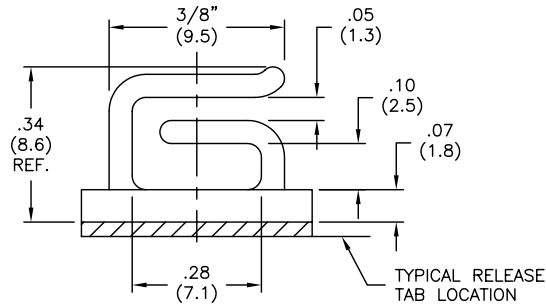
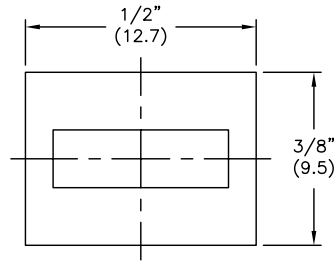
Stocking Distributor

Click to view price, real time Inventory, Delivery & Lifecycle Information:

[Essentra Components \(formerly Richco, Inc.\)](#)
[MOFNSB-2-01A-RT](#)

For any questions, you can email us directly:
sales@integrated-circuit.com

PART NO. NYLON	PART NO. FLAME RETARDANT NYLON
MOFNSB-2-01A-RT	MOFNSB-2-19A-RT



NOTES:

- MATERIAL: NYLON 66 (RMS-01)
FLAME RETARDANT NYLON (RMS-19)
COLOR: NATURAL
- TAPE: 1/32" (0.8) THICK DOUBLE SIDED ADHESIVE (RMS-15)

TITLE: MINI OPTICAL FIBER NETWORK SADDLE ON BASE					DWG IN IN (MM)	
TOLERANCES UNLESS NOTED .XX=±.010 .XXX=±.005 FRAC=±1/64 ANG=±1°	FILE # MOFNSB-2	DWN: S.M.	APP:	FINAL		
	MAT'L: SEE NOTES	DT: 01/19/01	DT:	PART #	PRINT TYPE	
	RE: RICHCO, INC.	RICHCO INC. PO BOX 804238, CHICAGO, 60680 (773) 539-4060		SEE CHART	CA	

REV	DESCRIPTION	ENGR	DATE