



Excellent Integrated System Limited

Stocking Distributor

Click to view price, real time Inventory, Delivery & Lifecycle Information:

[Essentra Components \(formerly Richco, Inc.\)](#)
[N-20B-BK](#)

For any questions, you can email us directly:

sales@integrated-circuit.com

MATERIAL: NYLON 6/6 UL 94 V-2 (RMS-01). COLOR: NATURAL. PART NO.	MATERIAL: NYLON 6/6 UL 94 V-2 (RMS-01). COLOR: BLACK. PART NO.	DIM. "E" REF.	"D" HOLDING DIAMETER FOR:			FIGURE NO.
			INSIDE HOLE	CENTER HOLE	OUTSIDE HOLE	
N-20B	N-20B-BK	29/32 [23]	1 [25.4]	1-1/8 [28.6]	1.2 [30.2]	1
N-24B	N-24B-BK	1-1/32 [26.2]	1-1/4 [31.8]	1-3/8 [34.9]	1-15/32 [37.3]	2
N-32B	N-32B-BK	1-29/64 [36.9]	1-3/4 [44.5]	1-7/8 [47.6]	2 [50.8]	

FIG 1.

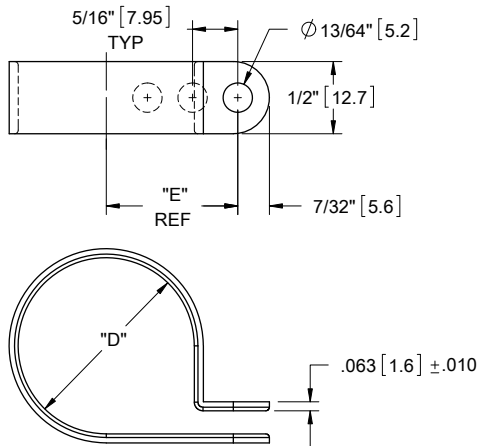
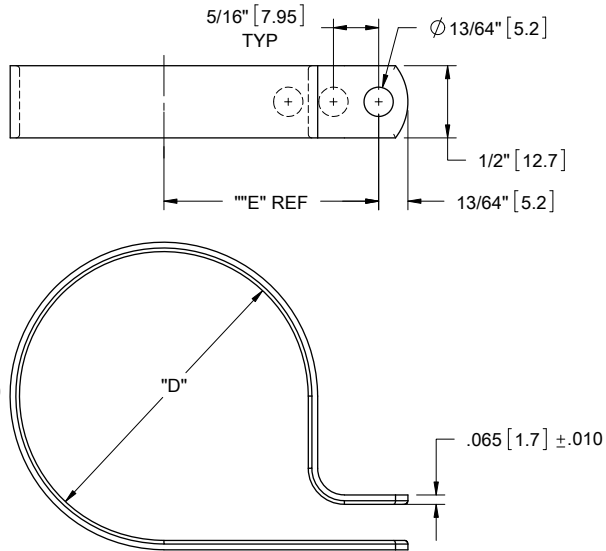


FIG 2.



NOTES:

- MATERIAL: NYLON 6/6 UL 94 V-0 (RMS-19), COLOR: NATURAL OR BLACK AVAILABLE BY SPECIAL ORDER ONLY.
- NYLON 4/6 UL 94 V-2 (RMS-109), COLOR NATURAL OR BLACK, AVAILABLE BY SPECIAL ORDER. TO ORDER ADD "-109" TO PART NO.

TITLE: CABLE CLAMPS, NB SERIES-3 HOLES				DWG IN IN [MM]		FINAL	
CREATED USING SOLIDWORKS		FILE #: NB-3	DWN: SK	APP: R.T.		PART #	
TOLERANCES UNLESS NOTED		SHEET: 1 OF 1	DT: 10/20/08	CHKD: D.Z.		PRINT TYPE	
XX±.010 XXX±.005 FRAC±1/64 ANG±1°		RE: RICHCO, INC.	RICHCO, INC. ENG@RICHCO-INC.COM (773) 539-4060		SEE TABLE		CA

G	SEE ECN #200453 FOR CHANGES	SJ	10/20/09
F	SEE ECN #200264 FOR CHANGES	SK	10/20/08
-	SEE ENGINEERING FOR REV A-F	-	-
REV.	DESCRIPTION	ENGR.	DATE