



Excellent Integrated System Limited

Stocking Distributor

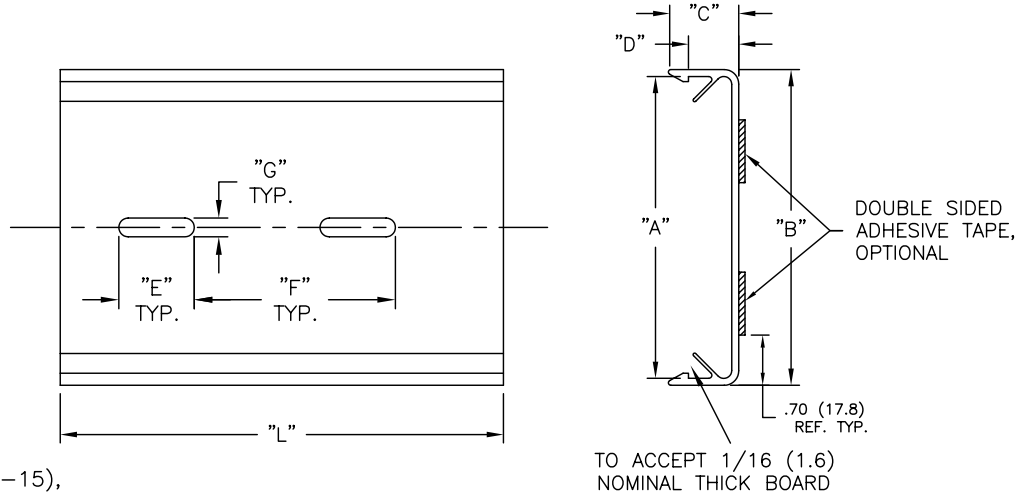
Click to view price, real time Inventory, Delivery & Lifecycle Information:

[Essentra Components \(formerly Richco, Inc.\)](#)
[PCT-3000-04S](#)

For any questions, you can email us directly:

sales@integrated-circuit.com

PART NO.	DESCRIPTION	"A" (BOARD WIDTH)	"B"	"C"	"D"	"E" ±1/16 (±1.6)	"F" ±1/16 (±1.6)	"G" ±1/16 (±1.6)	"L"
PCTE-100-1-04S	WITH SLOTS, NO TAPE	3.94	4.10	.67	.43	.79	1.77	.20	6.3 REF
PCTE-100-1-04T	WITH TAPE, NO SLOTS	(100)	(104)	(17)	(10.9)	(20.0)	(45.0)	(5.0)	(160 REF)
PCT-3000-04S	WITH SLOTS, NO TAPE	3.00	3.14	.70	.43	3/4	2.00	3/16	48.0±1/4
PCT-3000-04T	WITH TAPE, NO SLOTS	(76.2)	(79.8)	(17.8)	(10.9)	(19.1)	(50.8)	(4.8)	(1219±6.4)



NOTES:

1. MATERIAL: RIGID PVC.
2. COLOR: GRAY.
3. ACRYLIC ADHESIVE TAPE (RMS-15), 1/16 (1.6) THICK, 5/8 (15.9) WIDE, 2 STRIPS AS INDICATED
4. PCTE TYPES DESIGNED FOR EUROCARD SIZE PRINTED CIRCUIT BOARD (160 X 100 mm)
5. PCT SUPPLIED IN 4' ±1/4" LENGTH; CUSTOM CUT LENGTH AVAILABLE BY SPECIAL ORDER

TITLE: PRINTED CIRCUIT BOARD TRACK				DWG IN IN (MM)	FINAL
TOLERANCES UNLESS NOTED .XX=±.020 .XXX=±.015 FRAC=±1/32 ANG=±1°	FILE # PCT(E)	DWN: P.B.	APP:	PART #	
	MAT'L: SEE NOTES	DT: 03-01-94	DT:	SEE TABLE	
	RE: RICHCO, INC.	RICHCO INC. PO BOX 804238, CHICAGO, 60680 (773) 539-4060		PRINT TYPE CA	

C	UPDATED NOTES AND CHANGED FILE NO.	SM 08.21.02
B	CORRECTED TOLERANCE VALUES	MO 3/13/98
A	"E", "F" AND "G" ADDED	JP 1.21.97
REV	DESCRIPTION	ENGR DATE