



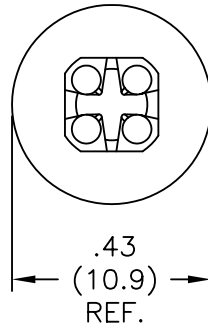
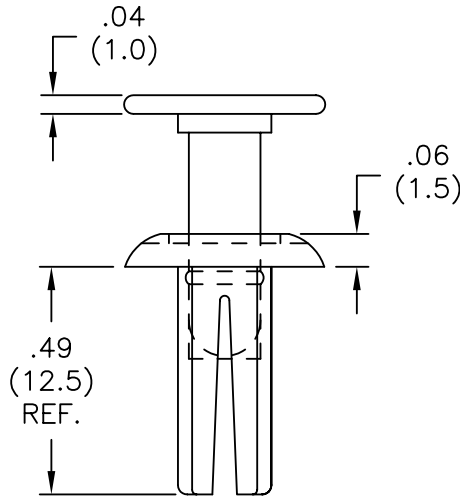
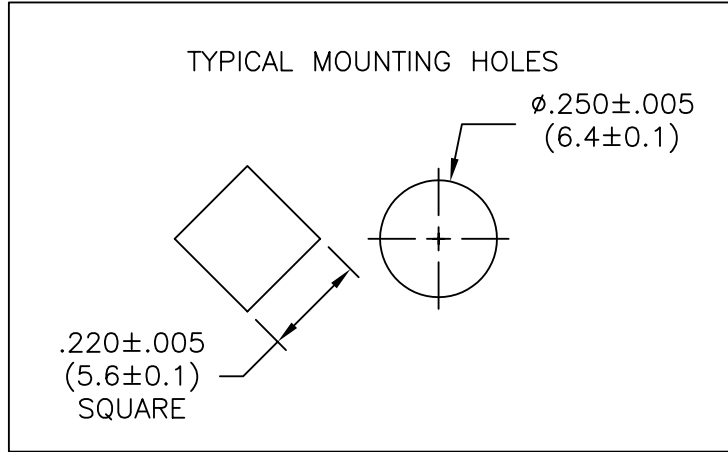
## Excellent Integrated System Limited

Stocking Distributor

Click to view price, real time Inventory, Delivery & Lifecycle Information:

[Essentra Components \(formerly Richco, Inc.\)](#)  
[PPR-10](#)

For any questions, you can email us directly:  
[sales@integrated-circuit.com](mailto:sales@integrated-circuit.com)



NOTE:

1. MATERIAL: NYLON 6 (RMS-120).
2. COLOR: NATURAL.
3. PANEL THICKNESS: .140-.200 (3.56-5.08)

D	ADDED PANEL THCK. TO NOTES.	S.M. 06.13.02
C	ADDED RMS-120 TO MATERIAL NOTE	S.M. 03.05.02
B	COMPLETELY RE-DRAWN	S.M. 06.08.01
A	RELEASED FOR PRODUCTION	F.L. 05.19.99
REV	DESCRIPTION	ENGR DATE

TITLE: **PUSH RIVET 10**

TOLERANCES UNLESS NOTED .XX=±.010 .XXX=±.005 FRAC=±1/64 ANG=±1°	FILE # PPR10	DWN: S.M.	APP:	FINAL	
	MAT'L: SEE NOTES	DT: 06/07/01	DT:	PART #	PRINT TYPE
RE: RICHCO, INC.	RICHCO INC. PO BOX 804238, CHICAGO, 60680 (773) 539-4060		PPR-10		CA