



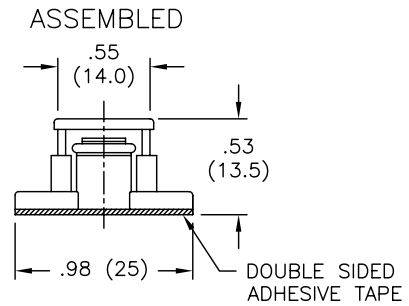
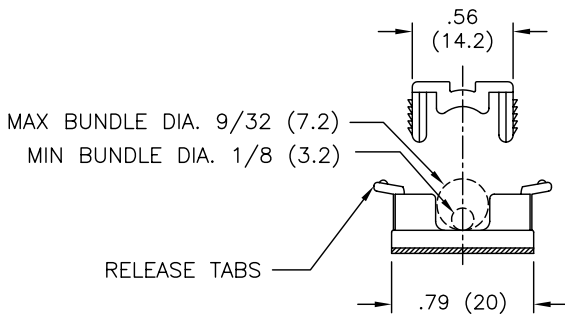
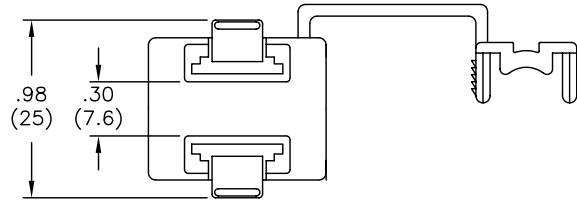
Excellent Integrated System Limited

Stocking Distributor

Click to view price, real time Inventory, Delivery & Lifecycle Information:

[Essentra Components \(formerly Richco, Inc.\)](#)
[RC-1-01](#)

For any questions, you can email us directly:
sales@integrated-circuit.com



NOTES:

1. MATERIAL: NYLON 6/6, (RMS-122).
2. COLOR: BLACK.
3. TAPE: 1/32" (0.8) THICK, DOUBLE SIDED ADHESIVE (RMS-131).

| | | | | | |
|----------------------|---|----------------|---|---------------------------------|---|
| TITLE: RATCHET CLAMP | | DWG IN IN (MM) | | FINAL | |
| C | RMS-122 WAS RMS-01, ADDED NOTE 3. & REMOVED TRANSFER TAPE | SM 07.26.01 | TOLERANCES UNLESS NOTED .XX=±.010 .XXX=±.005 FRAC=±1/64 ANG=±1° | FILE # RC-1 MAT'L: SEE NOTES | DWN: H.S DT: 03-20-95 |
| B | TRANSFER TAPE ADDED, CHANGED FILE NO. AND TITLE BLOCK | SM 06.29.01 | | RE: RICHCO, INC. | APP: RICHCO INC. PO BOX 804238, CHICAGO, 60680 (773) 539-4060 |
| A | GIVEN FILE NUMBER | JB 09.06.95 | | | DT: |
| REV | DESCRIPTION | ENGR DATE | | | |
| | | | | PART # RC-1 | PRINT TYPE CA |