



Excellent Integrated System Limited

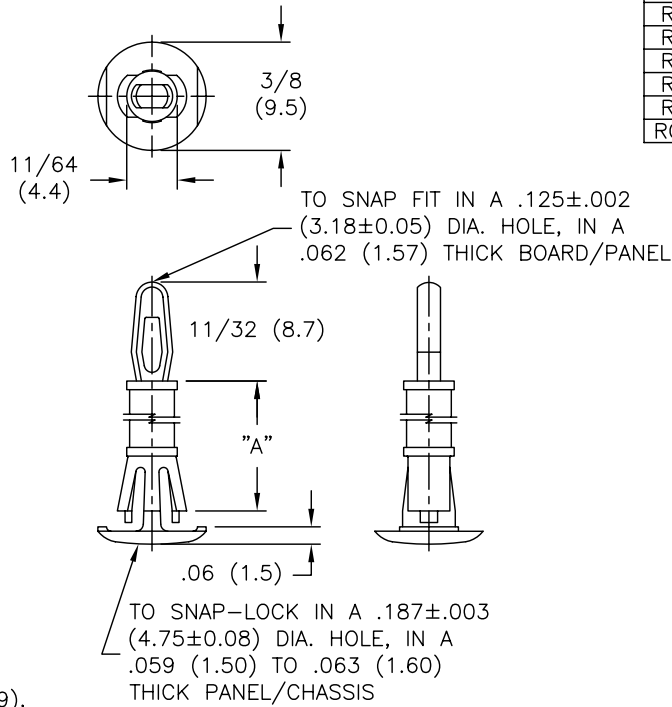
Stocking Distributor

Click to view price, real time Inventory, Delivery & Lifecycle Information:

[Essentra Components \(formerly Richco, Inc.\)](#)
[RCBSR-4-01](#)

For any questions, you can email us directly:
sales@integrated-circuit.com

PART NO.	DIM. "A" ±.015(0.4)
RCBSR-4-01	1/4 (6.4)
RCBSR-5-01	5/16 (7.9)
RCBSR-6-01	3/8 (9.5)
RCBSR-7-01	7/16 (11.1)
RCBSR-8-01	1/2 (12.7)
RCBSR-9-01	9/16 (14.3)
RCBSR-10-01	5/8 (15.9)



NOTES:

- MATERIAL: NYLON 66 (RMS-01).
FLAME RETARDANT: NYLON (RMS-19),
BY SPECIAL ORDER.
- COLOR: NATURAL.

TITLE: REVERSE CIRCUIT BOARD SUPPORT ROUND HOLE				
TOLERANCES UNLESS NOTED .XX=±.010 .XXX=±.005 FRAC=1/64 ANG=1°	FILE # RCBSR MAT'L: SEE NOTES RE: RICHCO, INC.	DWN: P.B. DT: 07-11-94	APP: DT:	FINAL
C	CHANGED FILE NO.	SM 05.03.01		
B	MAT'L RMS-19 ADDED	J.L. 12.29.97		
A	CONVERTED TO ACAD	PB 07.11.94		
REV	DESCRIPTION	ENGR DATE		
			PART # SEE TABLE	PRINT TYPE CA

RICHCO INC.
PO BOX 804238, CHICAGO, 60680
(773) 539-4060