



## Excellent Integrated System Limited

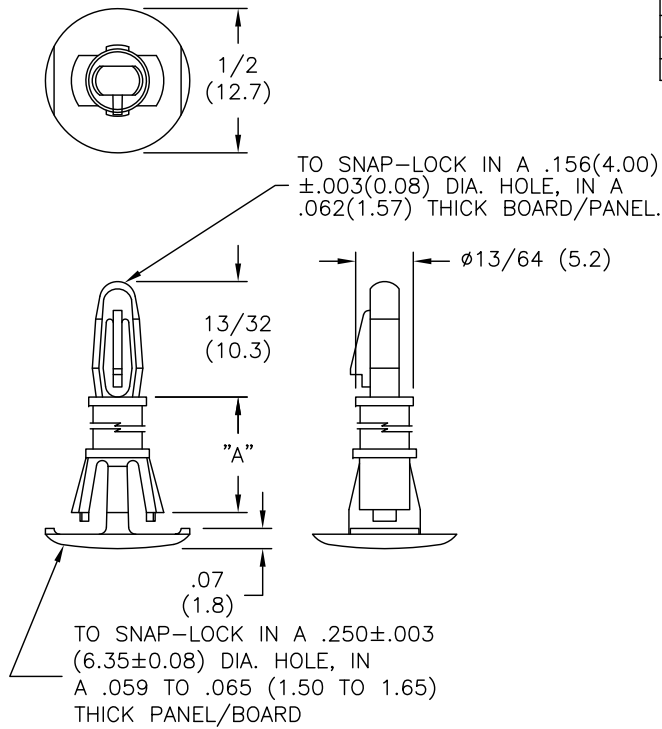
Stocking Distributor

Click to view price, real time Inventory, Delivery & Lifecycle Information:

[Essentra Components \(formerly Richco, Inc.\)](#)  
[RLCBSR1-10-01](#)

For any questions, you can email us directly:  
[sales@integrated-circuit.com](mailto:sales@integrated-circuit.com)

PART #	DIM. "A" ±.015(0.4)
RLCBSR1-4-01	1/4 (6.4)
RLCBSR1-6-01	3/8 (9.5)
RLCBSR1-8-01	1/2 (12.7)
RLCBSR1-10-01	5/8 (15.9)



NOTES:

- MATERIAL: NYLON 6/6 (RMS-01).  
FLAME RETARDANT NYLON (RMS-19),  
AVAILABLE BY SPECIAL ORDER.
- COLOR: NATURAL.

TITLE: REVERSE LOCK CKT. BD. SUPPORT, STYLE #1		DWG IN IN(MM) FINAL																		
TOLERANCES UNLESS NOTED .XX=±.010 .XXX=±.015 FRAC=1/64 ANG=1°	FILE # RLCBSR1 MAT'L: SEE NOTES	DWN: J.B./R.T. APP: DT: 11-17-95 DT:	PART # SEE TABLE																	
<table border="1"> <thead> <tr> <th>D</th> <th>ADDED <math>\phi 13/64</math> (5.2), CO 200708</th> <th>SK 09.14.11</th> </tr> </thead> <tbody> <tr> <td>C</td> <td>SEE ECN #539 FOR CHANGES</td> <td>SM 12.10.02</td> </tr> <tr> <td>B</td> <td>CHANGED FILE NUMBER</td> <td>SM 05.03.01</td> </tr> <tr> <td>A</td> <td>MAT'L RMS-19 ADDED</td> <td>J.L. 12.29.97</td> </tr> <tr> <td>REV</td> <td>DESCRIPTION</td> <td>ENGR DATE</td> </tr> </tbody> </table>	D	ADDED $\phi 13/64$ (5.2), CO 200708	SK 09.14.11	C	SEE ECN #539 FOR CHANGES	SM 12.10.02	B	CHANGED FILE NUMBER	SM 05.03.01	A	MAT'L RMS-19 ADDED	J.L. 12.29.97	REV	DESCRIPTION	ENGR DATE	RE: RICHCO INC.	RICHCO INC. PO BOX 804238, CHICAGO, 60680 (773) 539-4060	PRINT TYPE CA		
D	ADDED $\phi 13/64$ (5.2), CO 200708	SK 09.14.11																		
C	SEE ECN #539 FOR CHANGES	SM 12.10.02																		
B	CHANGED FILE NUMBER	SM 05.03.01																		
A	MAT'L RMS-19 ADDED	J.L. 12.29.97																		
REV	DESCRIPTION	ENGR DATE																		