



## Excellent Integrated System Limited

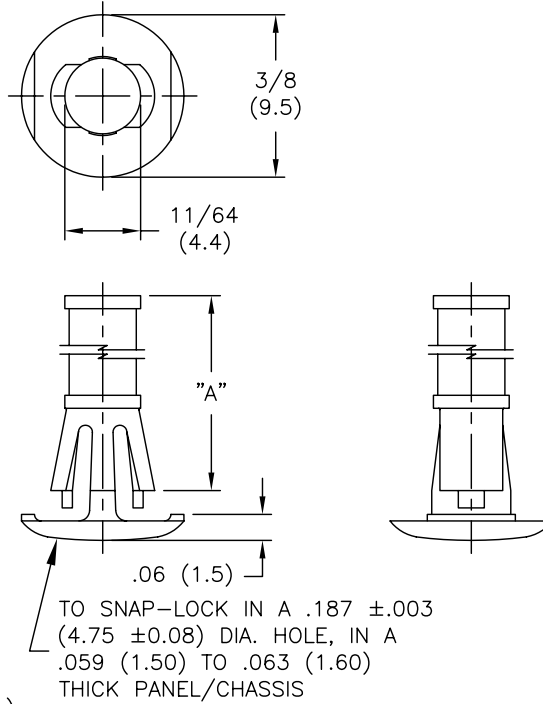
Stocking Distributor

Click to view price, real time Inventory, Delivery & Lifecycle Information:

[Essentra Components \(formerly Richco, Inc.\)](#)  
[RLCBSRS-4-01](#)

For any questions, you can email us directly:  
[sales@integrated-circuit.com](mailto:sales@integrated-circuit.com)

PART NO.	DIM "A" ±.015 (±0.4)
RLCBSRS-4-01	1/4 (6.4)
RLCBSRS-5-01	5/16 (7.9)
RLCBSRS-6-01	3/8 (9.5)
RLCBSRS-7-01	7/16 (11.1)
RLCBSRS-8-01	1/2 (12.7)
RLCBSRS-9-01	9/16 (14.3)
RLCBSRS-10-01	5/8 (15.9)



NOTES:

- MATERIAL: NYLON 6/6 (RMS-01).  
FLAME RETARDANT: NYLON (RMS-19).
- COLOR: NATURAL.

D			TITLE: REVERSE LOCKING SKT. BD. SUPPORT, ROUND HOLE STANDOFF			DWG IN IN (MM)		FINAL	
CHANGED FILE NO. AND TITLE BLOCK			FILE # RLCBSRS			DWN: P.B.		APP:	
MAT'L RMS-19 ADDED			MAT'L: SEE NOTES			DT: 05-23-95		DT:	
CONVERTED TO ACAD			RE: RICHCO, INC.			RICHCO INC.		PART #	
COMPLETE REDRAW & ADDED -5, -7, & -9			FRAC=±1/64			PO BOX 804238, CHICAGO, 60680		SEE TABLE	
DESCRIPTION			ANG=±1°			(773) 539-4060		PRINT TYPE CA	