



Excellent Integrated System Limited

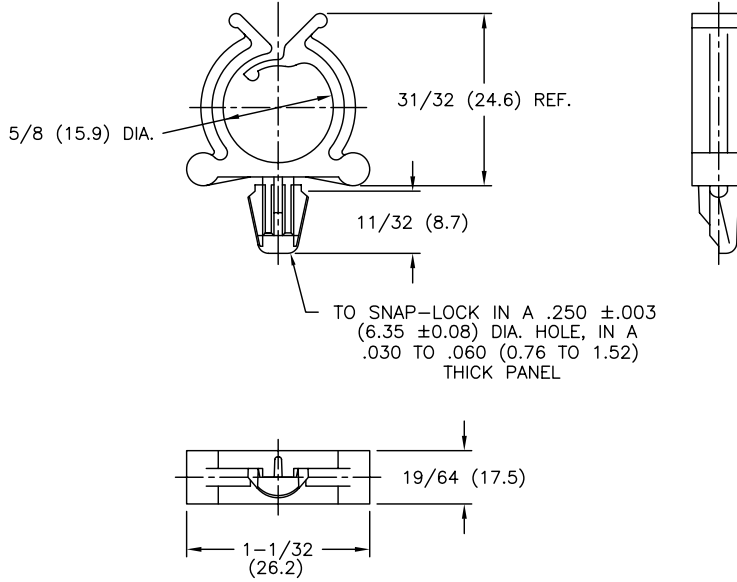
Stocking Distributor

Click to view price, real time Inventory, Delivery & Lifecycle Information:

[Essentra Components \(formerly Richco, Inc.\)](#)
[RWS-10-01](#)

For any questions, you can email us directly:
sales@integrated-circuit.com

MATERIAL:	NYLON 6/6 (RMS-01)	NYLON 6/6 (RMS-01)	FLAME RETARDANT NYLON (RMS-19)
COLOR:	NATURAL	BLACK	NATURAL
PART NO.:	RWS-10-01	RWS-10-01BK	RWS-10-19



TITLE: ROUND WIRE SADDLE			
TOLERANCES UNLESS NOTED .XX=±.010 .XXX=±.005 FRAC=±1/64 ANG=±1°	FILE # RWS-10 MAT'L: NYLON 66, NATURAL RE: RICHCO, INC.	DWN: P.B. DT: 05-06-94 APP: DT:	FINAL PART # SEE TABLE PRINT TYPE CA

C	ADDED TABLE & EDITED SNAP LOCK NOTE	SJ 07.19.02
B	CHANGED FILE NO. AND TITLE BLOCK	SM 05.30.01
A	COLOR NATURAL WAS BLACK	PB 050694
REV	DESCRIPTION	ENGR DATE