



Excellent Integrated System Limited

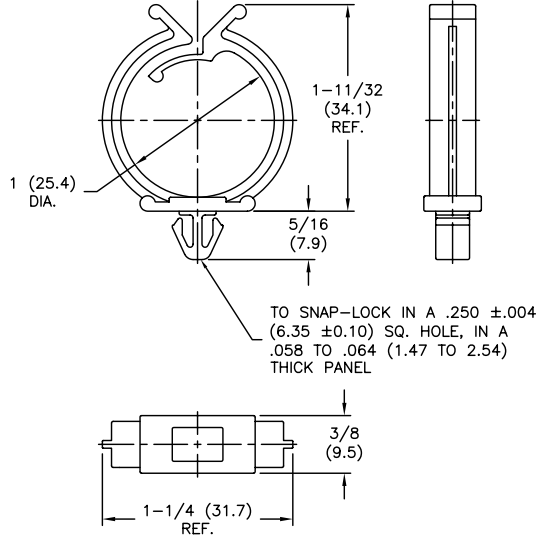
Stocking Distributor

Click to view price, real time Inventory, Delivery & Lifecycle Information:

[Essentra Components \(formerly Richco, Inc.\)](#)
[RWS-16-01](#)

For any questions, you can email us directly:
sales@integrated-circuit.com

MATERIAL:	NYLON 6/6 (RMS-01)	NYLON 6/6 (RMS-01)	FLAME RETARDANT NYLON (RMS-19)
COLOR:	NATURAL	BLACK	NATURAL
PART NO.:	RWS-16-01	RWS-16-01BK	RWS-16-19



TITLE: ROUND WIRE SADDLE		DWG IN IN (MM)	FINAL	PRINT TYPE CA												
TOLERANCES UNLESS NOTED .XX=±.010 .XXX=±.005 FRAC=±1/64 ANG=±1°	FILE # RWS-16 MAT'L: SEE NOTES RE: RICHCO, INC.	DWN: P.B. DT: 07-26-95	APP: DT:	PART # SEE TABLE												
<table border="1"> <tr> <td>C</td> <td>ADDED PART NO. TABLE & REMOVED NOTES</td> <td>SJ 07.19.02</td> </tr> <tr> <td>B</td> <td>CHANGED FILE NUMBER</td> <td>SM 05.30.01</td> </tr> <tr> <td>A</td> <td>COLOR BLACK ADDED</td> <td>J.L. 1.9.98</td> </tr> <tr> <td>REV</td> <td>DESCRIPTION</td> <td>ENGR DATE</td> </tr> </table>	C	ADDED PART NO. TABLE & REMOVED NOTES	SJ 07.19.02	B	CHANGED FILE NUMBER	SM 05.30.01	A	COLOR BLACK ADDED	J.L. 1.9.98	REV	DESCRIPTION	ENGR DATE	RICHCO INC. PO BOX 804238, CHICAGO, 60680 (773) 539-4060			
C	ADDED PART NO. TABLE & REMOVED NOTES	SJ 07.19.02														
B	CHANGED FILE NUMBER	SM 05.30.01														
A	COLOR BLACK ADDED	J.L. 1.9.98														
REV	DESCRIPTION	ENGR DATE														