



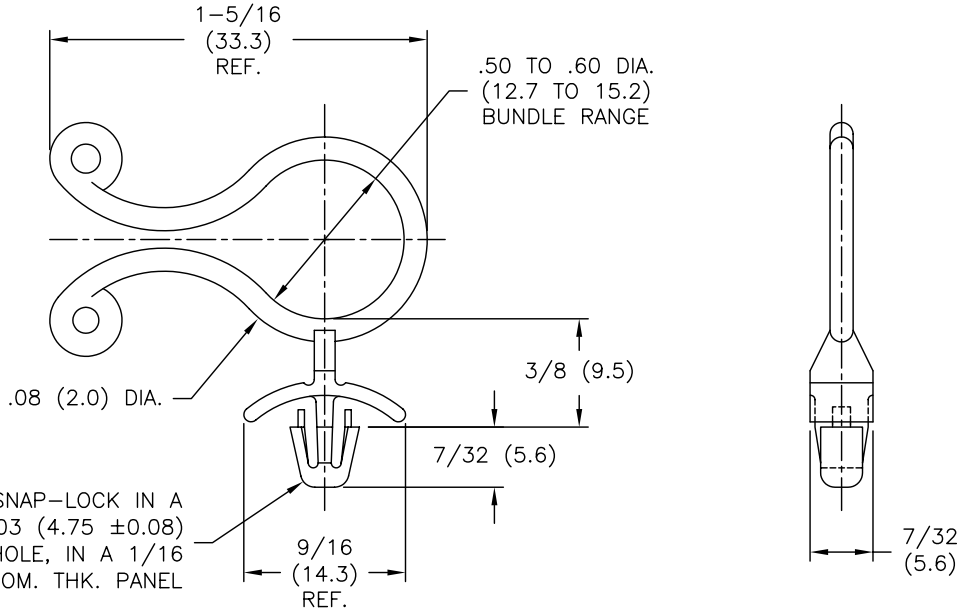
## **Excellent Integrated System Limited**

Stocking Distributor

Click to view price, real time Inventory, Delivery & Lifecycle Information:

[Essentra Components \(formerly Richco, Inc.\)](#)  
[SKLO-550-01](#)

For any questions, you can email us directly:  
[sales@integrated-circuit.com](mailto:sales@integrated-circuit.com)



TO SNAP-LOCK IN A  
.187 ±.003 (4.75 ±0.08)  
DIA. HOLE, IN A 1/16  
(1.6) NOM. THK. PANEL

NOTES:

- MAT'L: NYLON 66 (RMS-01).  
FLAME RETARDANT NYLON (RMS-19)  
AVAILABLE BY SPECIAL ORDER.
- COLOR: NATURAL.

B	CHANGED NOTE 1	SJ 03.13.02
A	CHANGED FILE NUMBER	SM 05.31.01
REV	DESCRIPTION	ENGR DATE

TITLE: STANDOFF KURLY-LOK		DWG IN IN (MM)		FINAL	
TOLERANCES UNLESS NOTED .XX=±.010 .XXX=±.005 FRAC=±1/64 ANG=±1°	FILE # SKLO-550	DWN: P.B.	APP:	PART #	PRINT TYPE
	MAT'L: SEE NOTES	DT: 07-29-94	DT:	SKLO-550-01	CA
	RE: RICHCO, INC.	RICHCO INC. PO BOX 804238, CHICAGO, 60680 (773) 539-4060			