

Excellent Integrated System Limited

Stocking Distributor

Click to view price, real time Inventory, Delivery & Lifecycle Information:

[Sumida Corporation](#)
[CMD4D13NP-6R8MC](#)

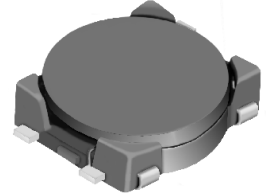
For any questions, you can email us directly:

sales@integrated-circuit.com

Type: CMD4D13

◆ **Product Description**

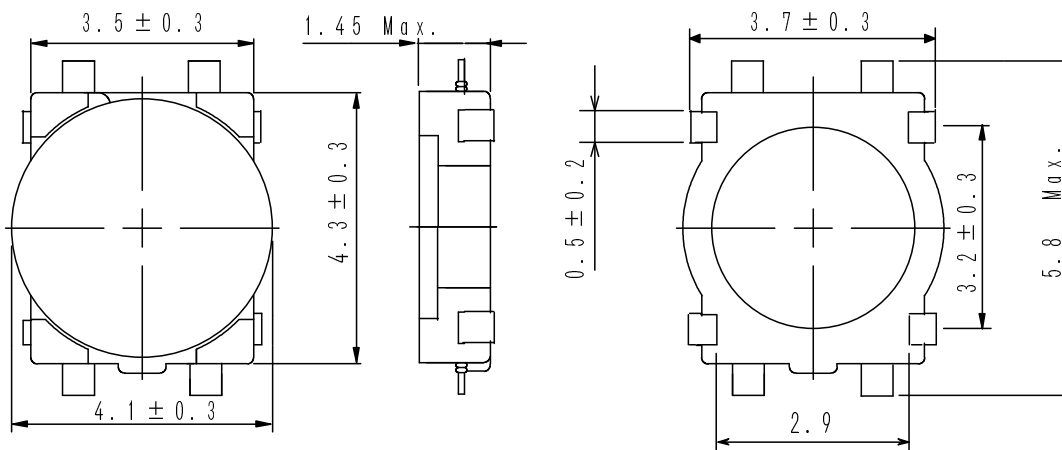
- 5.8 × 4.4 mm Max.(L × W), 1.45mm Max. Height.
- Inductance Range: 3.3 ~ 150 μH.
- Rated current range: 130 ~ 850mA.
- 4 Terminal pins' type gives a flexible design as inductors or transformers(SEPIC,ZETA circuit).
- In addition to the standards versions used as power inductors shown here, custom designs as transformers(SEPIC,ZETA circuit) and inductors are also available.



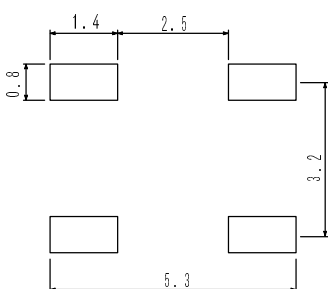
◆ **Feature**

- Magnetically unshielded construction.
- Ideally used in portable devices such as Mobilephone, DSC/DVC, MP3, PDA, etc as DC-DC Converter inductors, specially suitable for White LED drive.
- RoHS Compliance.

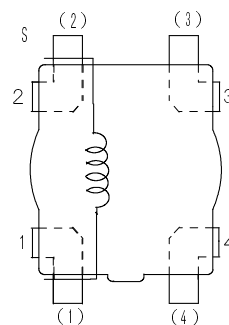
◆ **Dimensions (mm)**



◆ **Land Pattern (mm)**



◆ **Schematics(Bottom)**



"S" is winding start.



Power Transformers <SMD Type: CMD Series>

Type: CMD4D13

◆ **Specification**

Part No. ※	Stamp	Inductance (μ H) 100kHz/1V	D.C.R.(m Ω) Max.(Typ.) (at 20°C)	Saturation Current (mA) (at 20°C)※1	Temperature Rise current (mA) ※2
CMD4D13NP-3R3M□	3R3	3.3±20%	160(123)	1200	850
CMD4D13NP-4R7M□	4R7	4.7±20%	194(149)	1000	800
CMD4D13NP-6R8M□	6R8	6.8±20%	276(212)	810	650
CMD4D13NP-100M□	100	10±20%	335(258)	710	570
CMD4D13NP-150M□	150	15±20%	508(391)	580	450
CMD4D13NP-220M□	220	22±20%	766(589)	480	370
CMD4D13NP-330M□	330	33±20%	1162(894)	370	280
CMD4D13NP-470M□	470	47±20%	1658(1326)	320	220
CMD4D13NP-680M□	680	68±20%	2534(2027)	260	180
CMD4D13NP-101M□	101	100±20%	3304(2643)	210	170
CMD4D13NP-151M□	151	150±20%	5362(4290)	180	130

※ **Description of Part Name**

CMD4D13NP-3R3M□
 └── B Box
 └── C Carrier Tape

※1.Saturation current: The DC current at which the inductance decreases to 90% of it's initial value.

※2.Temperature rise current: The DC current at which the temperature rise is $\Delta t=40^{\circ}\text{C}$.($T_a=20^{\circ}\text{C}$)