



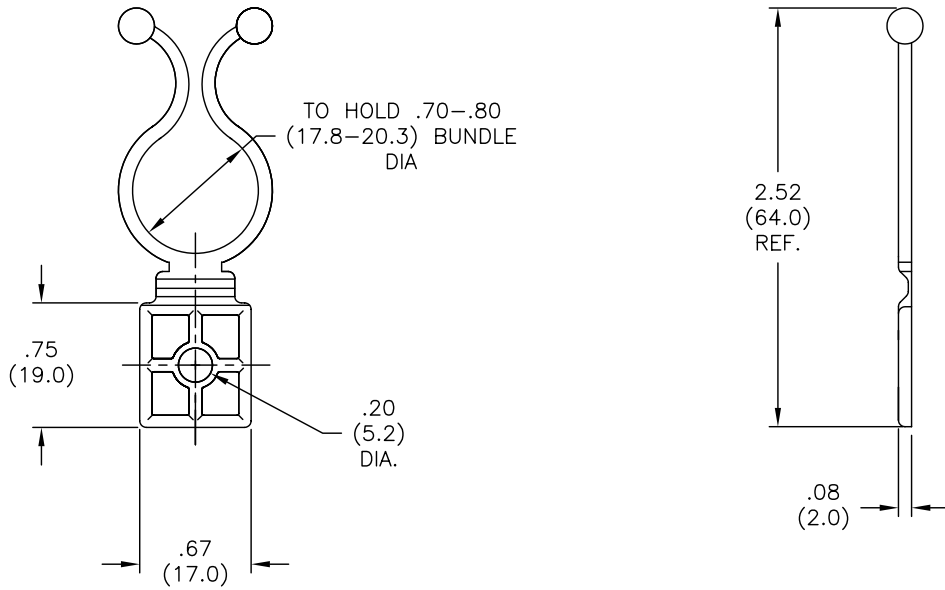
Excellent Integrated System Limited

Stocking Distributor

Click to view price, real time Inventory, Delivery & Lifecycle Information:

[Essentra Components \(formerly Richco, Inc.\)](#)
[TLHE-1-750-01](#)

For any questions, you can email us directly:
sales@integrated-circuit.com



NOTES:

1. MATERIAL: NYLON 66 (RMS-01)
2. COLOR: NATURAL
3. FLAME RETARDANT NYLON (RMS-19)
 AVAILABLE BY SPECIAL ORDER.

		TITLE: TWIST LOCK HINGED			DWG IN IN(MM)		FINAL		PRINT TYPE		
		TOLERANCES UNLESS NOTED .XX=±.010 .XXX=±.005 FRAC=±1/64 ANG=±1°		FILE # TLHE	DWN: R.T.	APP:	PART #		CA		
		MAT'L: SEE NOTE		RE: RICHCO, INC.	DT: 11-07-96	DT:	TLHE-1-750-01				
				RICHCO PLASTIC CO PO BOX 804238, CHICAGO, 60680 (312) 539-4060							
A	CHANGED TITLE, FILE #, & NOTES	SJ	03.13.02								
REV	DESCRIPTION	ENGR	DATE								