



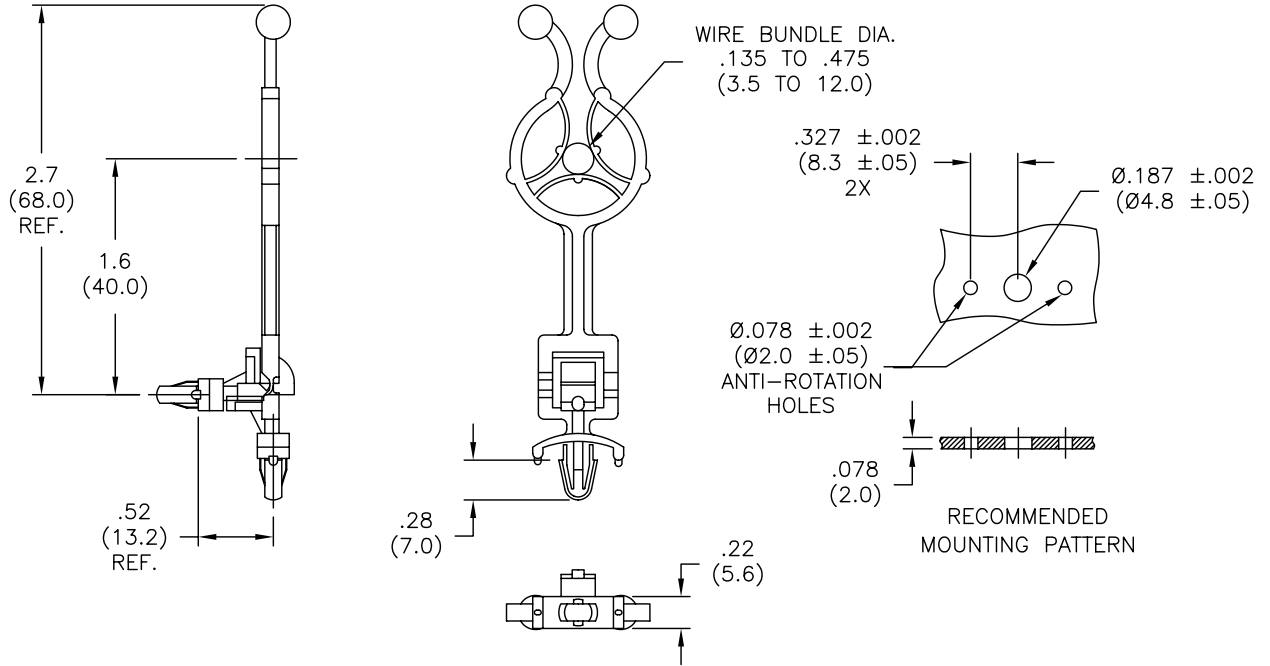
Excellent Integrated System Limited

Stocking Distributor

Click to view price, real time Inventory, Delivery & Lifecycle Information:

[Essentra Components \(formerly Richco, Inc.\)](#)
[TLHS90-300-01](#)

For any questions, you can email us directly:
sales@integrated-circuit.com



NOTES:

1. MATERIAL: NYLON 66 (RMS-01).
 FLAME RETARDANT, NYLON (RMS-19).
 BY SPECIAL ORDER.
2. COLOR: NATURAL.

TITLE: TWIST-LOCK-HINGED-STANDOFF		DWG IN IN (MM)		FINAL	
TOLERANCES UNLESS NOTED .XX=±.010 .XXX=±.005 FRAC=±1/64 ANG=±1°		FILE # TLHS90	DWN: J.B.	APP:	
RE: RICHCO, INC.		DT: 01-22-96		DT:	
PART # TLHS90-300-01		RICHCO INC. PO BOX 804238, CHICAGO, 60680 (773) 539-4060		PRINT TYPE CA	
B	CHANGED FILE NUMBER	SM 05.31.01			
A	MAT'L RMS-19 ADDED	J.L. 12.29.97			
REV	DESCRIPTION	ENGR DATE			