

## Excellent Integrated System Limited

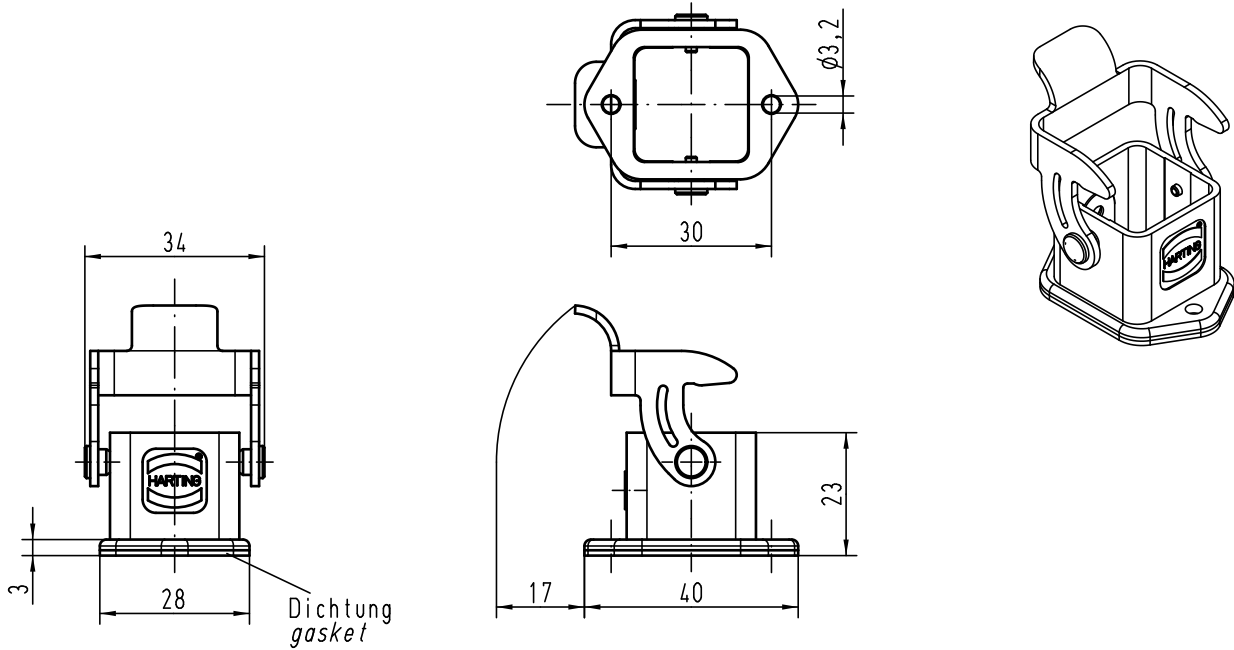
Stocking Distributor

Click to view price, real time Inventory, Delivery & Lifecycle Information:



[Harting](#)  
[09620030304](#)

For any questions, you can email us directly:  
[sales@integrated-circuit.com](mailto:sales@integrated-circuit.com)

Alle Rechte vorbehalten/ All rights reserved



Nur in Verbindung mit 09 12 005 9905 verwenden  
Use only in combination with 09 12 005 9905

 All Dimensions in mm Original Size DIN A 4			Techn. Character.			Nicht tolerierte Maß/Free size tolerances		
			Detail.	23.05.12	Rull	Maßstab/Scale <b>1:1</b>	<b>Han 3EMV-agg-QB</b> Anbaugehäuse housing bulkhead mounting	
			Insp.		Be			
			Stand.					
A			HARTING Electric GmbH & Co. KG				<b>TB 09 62 003 0304</b>	
Mod.	Dat.	Name	D-32339 Espelkamp				Sub. TB 09 62 003 0304 v. 11.08.98	
							Blatt/ page	