

Excellent Integrated System Limited

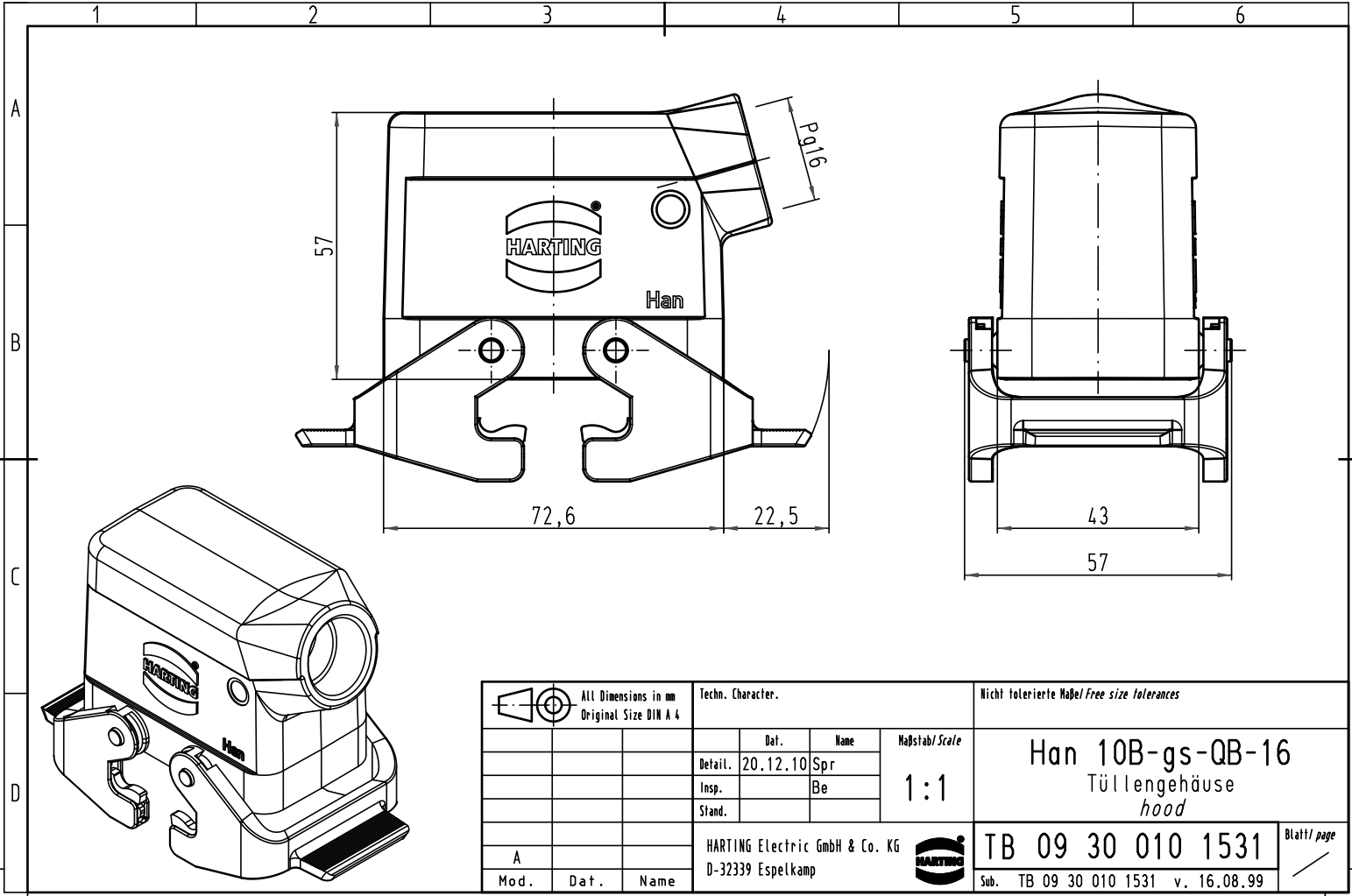
Stocking Distributor

Click to view price, real time Inventory, Delivery & Lifecycle Information:

[Harting](#)
[09300101531](#)

For any questions, you can email us directly:
sales@integrated-circuit.com

Alle Rechte vorbehalten/ All rights reserved



All Dimensions in mm Original Size DIN A 4			Techn. Character.			Nicht tolerierte Maß/Free size tolerances			
			Dat. 20.12.10	Name Spr	Maßstab/Scale 1:1	Han 10B-gs-QB-16 Tüllengehäuse hood			
			Insp.	Be					
			Stand.						
A			HARTING Electric GmbH & Co. KG D-32339 Espelkamp				TB 09 30 010 1531		Blatt/ page
Mod.	Dat.	Name					Sub. TB 09 30 010 1531 v. 16.08.99		