

## **Excellent Integrated System Limited**

Stocking Distributor

Click to view price, real time Inventory, Delivery & Lifecycle Information:

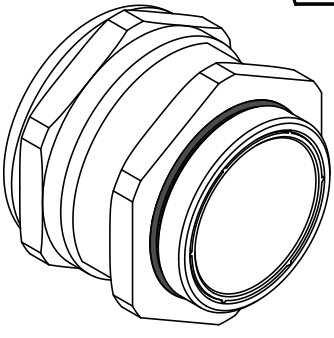
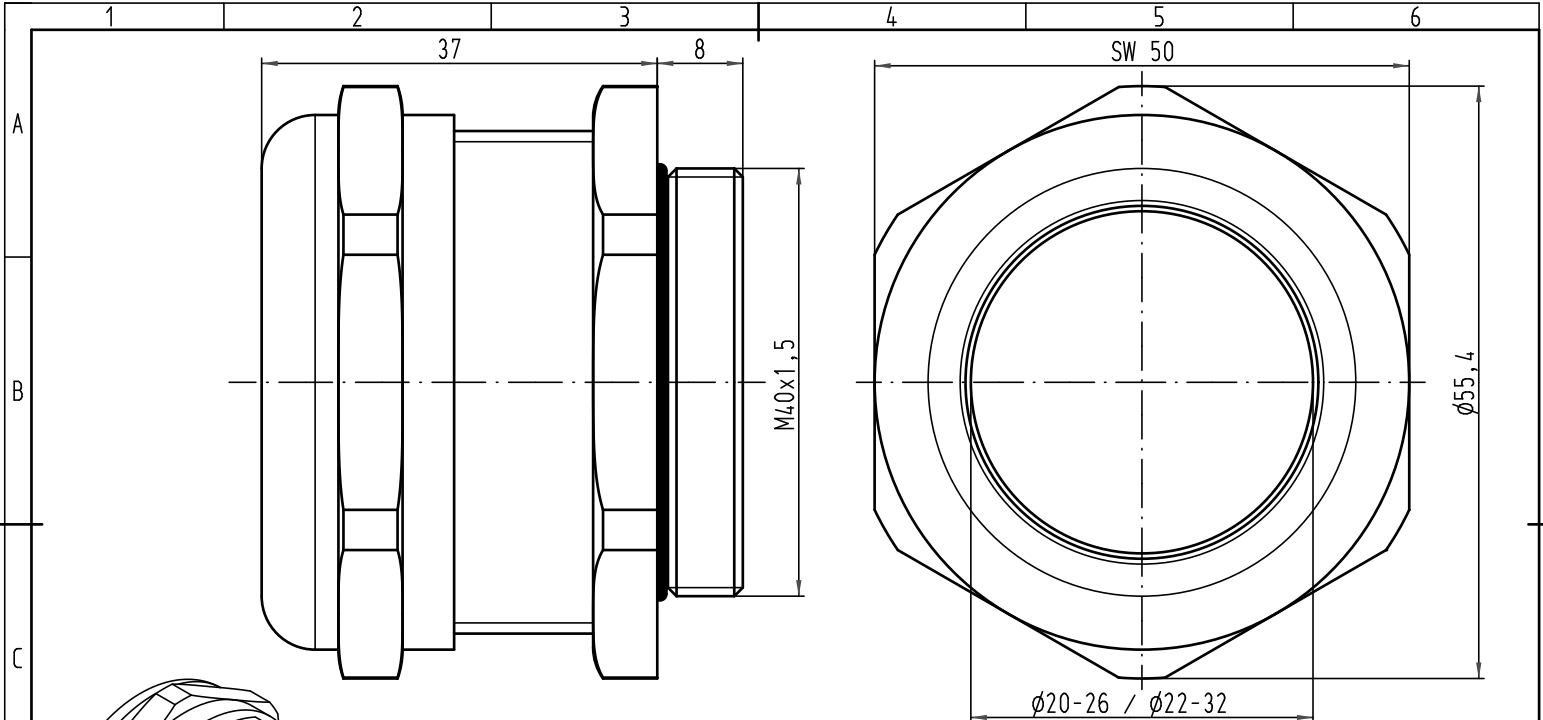
[Harting](#)

[19000005099](#)

For any questions, you can email us directly:

[sales@integrated-circuit.com](mailto:sales@integrated-circuit.com)

Alle Rechte vorbehalten/ All rights reserved



Dichteinsätze lose beigelegt/seals enclosed separatly

All Dimensions in mm Original Size DIN A 4			Techn. Character.			Nicht tolerierte Maß/Free size tolerances		
			Detail.	16.06.09	Ho	Maßstab/Scale <b>2:1</b>	<b>Kabelverschraubung Metall</b> <b>M40x1,5</b> <i>cabl gland metal</i>	
			Insp.		Sch			
			Stand.					
B	04.05.10	Go	HARTING Electric GmbH & Co. KG				<b>TB 19 00 000 5099</b>	
A			D-32339 Espelkamp					
Mod.	Dat.	Name					Blatt/ page	
							Sub.	