

Excellent Integrated System Limited

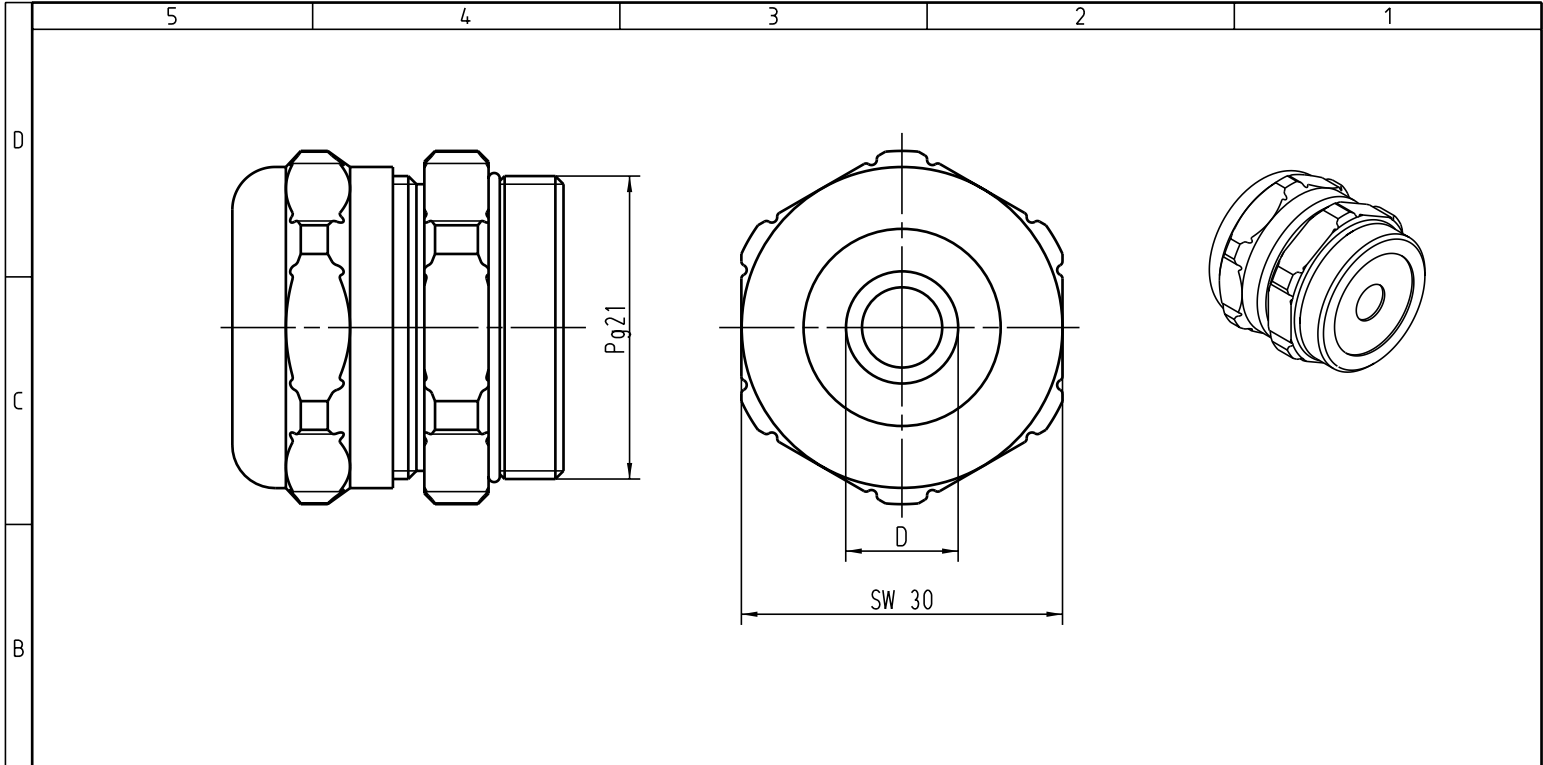
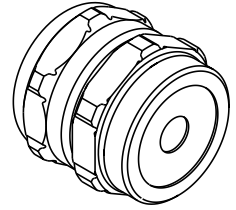
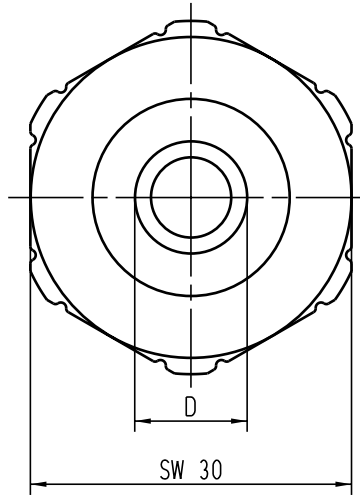
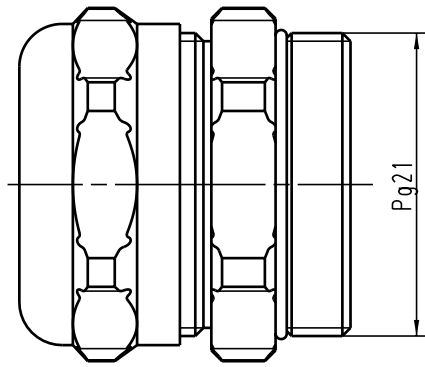
Stocking Distributor



Click to view price, real time Inventory, Delivery & Lifecycle Information:

[Harting](#)
[09000005090](#)

For any questions, you can email us directly:
sales@integrated-circuit.com

Alle Rechte vorbehalten/ All rights reserved



| | | | | | | | | | | | | | | |
|---|----------------------|----------------|--------|--------|--|-------------------|----------|------|---|------------|--|---|--------------------------|------------------------------|
| A | 09 00 000 5093 | blau blue | 14 | 18 |  All Dimensions in mm Original Size DIN A 4 | Techn. Character. | | | Nicht tolerierte Masse free size tolerances | | | | | |
| | 09 00 000 5092 | weiss white | 11,5 | 15,5 | | | | | | | UNI Dichtverschraubung / universal cable protection | | | |
| | 09 00 000 5091 | rot red | 9 | 13 | | | | | | 2:1 | | | | |
| | 09 00 000 5090 | grün green | 7 | 10,5 | | 410278 | 01.12.02 | DY | HARTING Electric GmbH & Co. KG D-32339 Espelkamp | | |  | TB 09 00 000 509. | Blatt / page 1 / 3 |
| | Bestell Nr / Part No | Farbe / colour | D min. | D max. | | Mod. | Dat. | Name | | | | | | |