



## Excellent Integrated System Limited

Stocking Distributor

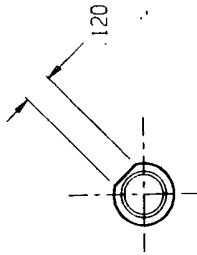
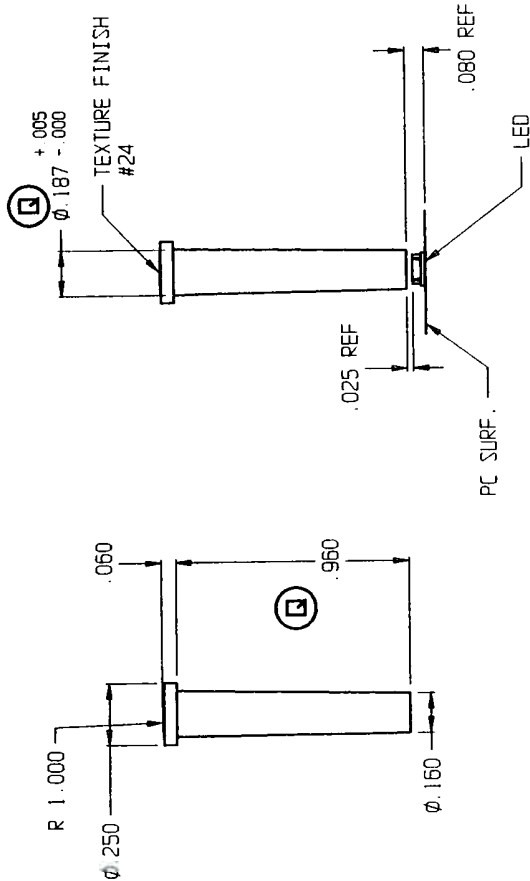
Click to view price, real time Inventory, Delivery & Lifecycle Information:

[Visual Communications Company, LLC](#)  
[7511A44](#)

For any questions, you can email us directly:

[sales@integrated-circuit.com](mailto:sales@integrated-circuit.com)

REV	ECR NO./DESCRIPTION	DATE
A	14214 NEW RELEASE	1/14/97
B	14265 HM DMT DET. X. .960 WAS .930	2/4/97
C	14302 HM CHANGED TO SALES DWG	2/12/97



- NOTES:
1. LIGHTPIPE TO BE MOLDED IN A CLEAR 94-YO POLYCARBONATE COMPONENT TO BE FREE OF IMPERFECTIONS WHICH WOULD INTERFERE WITH THE DESIGNED LIGHT OUTPUT.
  2. LED SHOWN FOR REFERENCE

(G) FOR INSPECTION USE ONLY  
(X) SPC DOCUMENTATION REQ. (X R CHARTS)

REV S

DATE 10/10/00

PART NO	TITLE
7511A44	VERTICAL LIGHTPIPE
MATERIAL	SEE NOTE
FINISH	NOTED
TOLERANCE	UNLESS OTHERWISE SPECIFIED - DRAWN S WU
INCHES	*** & FID
ANGLE	+ 1 deg
CHECKED	NS 2-17-97
ENG APPR	NS 2/12/97
REV	B13463
REV	C

THIS DWG IS THE PROPERTY OF INDUSTRIAL DEVICES, INC AND IS PROPRIETARY IN GENERAL AND IN DETAIL. IT SHALL NOT BE COPIED OR ITS CONTENTS REVEALED TO OUTSIDE PARTIES WITHOUT THE WRITTEN CONSENT OF INDUSTRIAL DEVICES, INC.

DO NOT SCALE

ON DWG

SHEET -