

Excellent Integrated System Limited

Stocking Distributor

Click to view price, real time Inventory, Delivery & Lifecycle Information:

[E-T-A](#)
[129-L11-H-KF-10A](#)

For any questions, you can email us directly:

sales@integrated-circuit.com

E-T-A Thermal Automotive Circuit Breaker 129-L11-H-KF

Description

Single pole thermal circuit breaker with push-to-reset, tease-free, trip-free, snap action mechanism and separate manual release (M-type TO CBE to EN 60934). Designed for bolt-on mounting with terminal block type 83-P10.

Typical applications

Extra low voltage wiring systems on all types of vehicles and marine craft.

Ordering information

Type No.	
129	base mounting and connection
Terminal design	
L11	90° bent terminals
Manual release	
H	manual release facility
Housing	
KF	standard
Current ratings	
	3...25 A
129 - L11 - H - KF - 10 A = ordering example	

Standard current ratings and typical internal resistance values

Current rating (A)	Internal resistance (Ω)	Current rating (A)	Internal resistance (Ω)
3	0.1	8	0.02
3.5	0.06	10	< 0.02
4	0.06	12	< 0.02
4.5	0.05	16	< 0.02
5	0.05	20	< 0.02
6	0.02	25	< 0.02
7	0.02		

Approvals

Authority	Standard	Rated voltage	Current ratings
VDE	IEC / EN 60934	AC 250 V DC 28 V	3 A...25 A 3 A...25 A
UL	UL 1077	AC 250 V DC 50 V	0.05 A...20 A 0.05 A...25 A
CSA	C22.2 No 235	AC 250 V DC 50 V	0.05 A...20 A 0.05 A...25 A
BWB	VG 95345 Part 9	DC 28 V	6 A...25 A

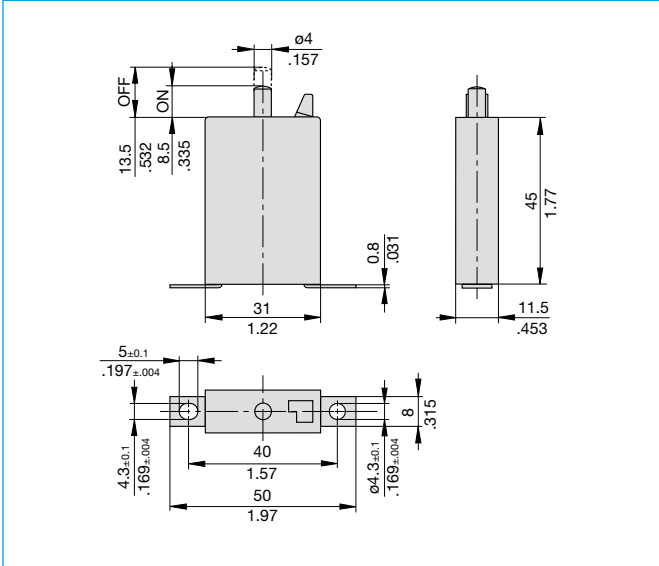


Technical data

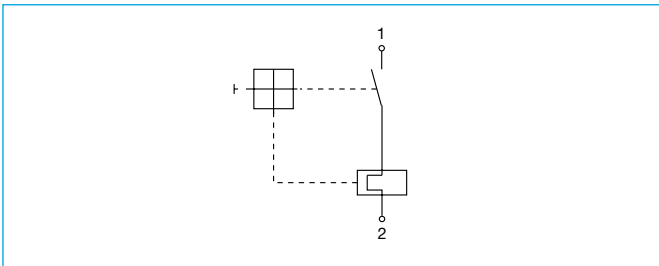
Voltage rating	DC 28 V (UL: AC 250 V; DC 50 V)		
Current ratings	3...25 A		
Typical life	5,000 operations at 2 x I _N		
Ambient temperature	-40...+75 °C (-40...167 °F)		
Insulation co-ordination (IEC 60664 and 60664 A)	rated impulse withstand voltage 2.5 kV	pollution degree 2	
Dielectric strength (IEC 60664 and 60664A) operating area	test voltage AC 1,500 V		
Insulation resistance	> 100 MΩ (DC 500 V)		
Interrupting capacity I _{cn}	3...5 A 20 x I _N 6...25 A 400 A		
Interrupting capacity (UL 1077)	I _N 0.05...25 A	U _N DC 50 V	2,500 A
Degree of protection (IEC 60529/DIN 40050)	operating area IP32 terminal area IP00		
Vibration	10 g (55-2,000 Hz) ± 0.76 mm (10-55 Hz) to VG 95210 part 28		
Shock	50 g (11 ms) to VG 95210 part 28		
Corrosion	96 hours at 5 % salt mist, to VG 95210 part 2		
Humidity	240 hours at 95 % RH to VG 95210 part 7		
Mass	approx. 25 g		

E-T-A® Thermal Automotive Circuit Breaker 129-L11-H-KF

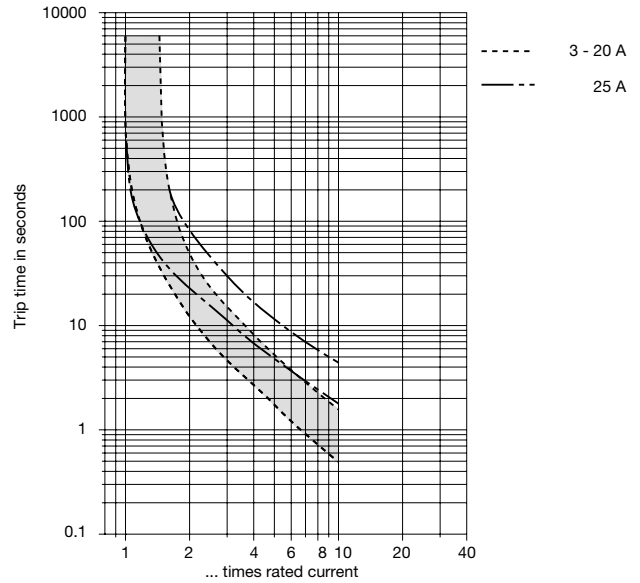
Dimensions



Internal connection diagram



Typical time/current characteristics at +23 °C/+73.4 °F



The time/current characteristic curve depends on the ambient temperature prevailing. In order to eliminate nuisance tripping, please multiply the circuit breaker current ratings by the derating factor shown below. See also section Technical information.

Ambient temp. °F	-40	-4	+14	+32	+73.4	+104	+122	+140	+167
Ambient temp. °C	-40	-20	-10	0	+23	+40	+50	+60	+75
Derating factor	0.60	0.76	0.84	0.92	1	1.08	1.16	1.24	1.35

This is a metric design and millimeter dimensions take precedence ($\frac{\text{mm}}{\text{inch}}$)

All dimensions without tolerances are for reference only. In the interest of improved design, performance and cost effectiveness the right to make changes in these specifications without notice is reserved. Product markings may not be exactly as the ordering codes. Errors and omissions excepted.