

## Excellent Integrated System Limited

Stocking Distributor

Click to view price, real time Inventory, Delivery & Lifecycle Information:

[Bel Fuse Inc.](#)  
[6610176-5](#)

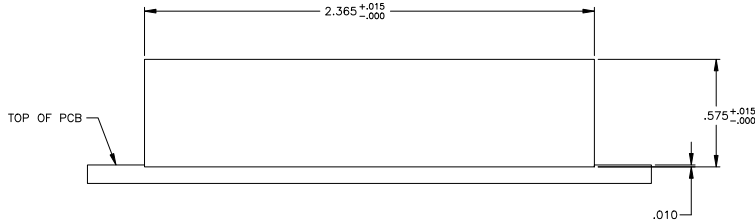
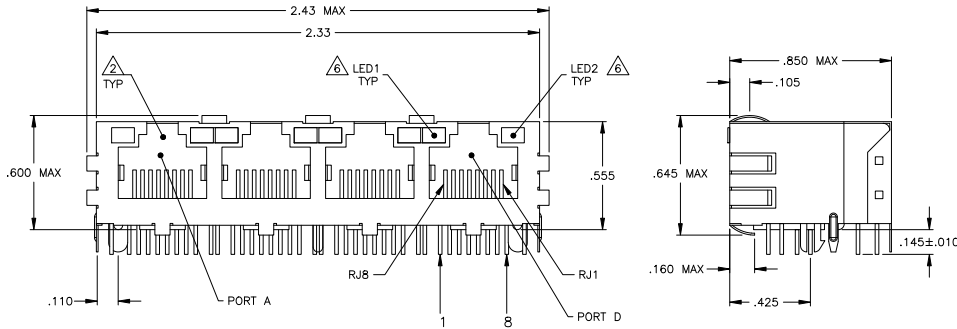
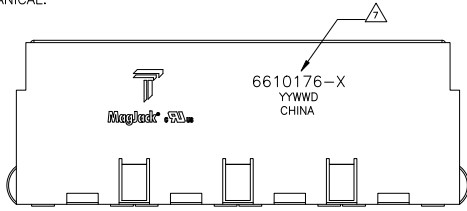
For any questions, you can email us directly:  
[sales@integrated-circuit.com](mailto:sales@integrated-circuit.com)

THIS DRAWING AND THE SUBJECT MATTER SHOWN THEREON ARE CONFIDENTIAL AND THE PROPERTY OF BEL/STEWART/TRP CONNECTOR AND SHALL NOT BE REPRODUCED, COPIED, OR USED IN ANY MANNER WITHOUT THE WRITTEN CONSENT OF TRP CONNECTOR.

PRODUCT MAY BE PROTECTED BY ONE OR MORE OF THE FOLLOWING US PATENTS:  
 6736910-6939956-6426781-6428361-6584638-6840817-7123117  
 7429195-7717749-7808751-6217391-6149050-7924130

REVISIONS			
REV	DESCRIPTION	DATE	BY
1	EC-1411535 COMPANY LOGO CHANGE	07/20/2016	DZ TL

**MECHANICAL:**

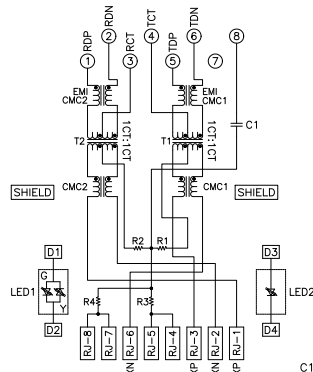


1X4 SUGGESTED PANEL CUTOUT

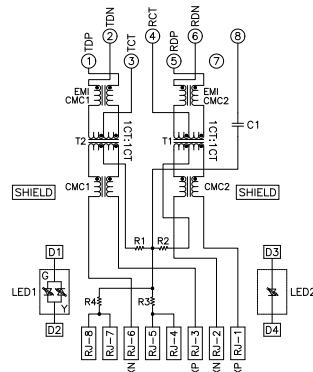
- △ **MATERIALS:**
  - HOUSING - THERMOPLASTIC PET POLYESTER FLAMMABILITY RATING UL 94V-0
  - SHIELD - .010" THICK, C26800 BRASS PREPLATED WITH 30µINCH MIN SEMI-BRIGHT NICKEL. SOLDER TABS POST DIPPED WITH 100µINCH MIN SAC SOLDER.
  - MOD JACK CONTACTS - 0.0151 X 0.018" PHOSPHOR BRONZE, 50µINCH MIN OVERALL NICKEL UNDERPLATE WITH SELECT 50µINCH MIN HARD GOLD FINISH PLATE. SOLDER TAILS WITH 100µINCH MIN MATTE TIN AND/OR SAC SOLDER DIP.
  - LIGHT EMITTING DIODE(LED) - DIFFUSED EPOXY LENS, .020" X .020" CARBON STEEL WIREFRAME LEADS PRE-PLATED WITH 80µINCH SILVER OVER 40µINCH NICKEL UNDERPLATE OVER 40µINCH COPPER UNDERPLATE. POST-PLATED WITH 100µIN MIN MATTE TIN AND/OR SAC SOLDER DIP OR PURE TIN SOLDER DIP.
- △ RJ45 JACK CAVITY CONFORMS TO FCC RULES AND REGULATIONS PART 68, SUB PART F.
- △ **MAGNETICS**
  - IMPEDANCE: 100 OHMS
  - TURNS RATIO (CHIP CABLE): TX = 11, RX = 1:1
  - OPEN CIRCUIT INDUCTANCE (OCL): 350nH MIN @100kHz, 0.1VRMS, 0µA DC BIAS FROM 0°C TO 70°C, TX AND RX
  - PERFORMANCE @ 25°C:
    - INSERTION LOSS (IL): 1.1dB MAX FROM 0.5MHz TO 100MHz
    - RETURN LOSS (RL): 18dB MIN FROM 0.5MHz TO 30MHz
    - 16-20 LOG(|S<sub>22</sub>|/|S<sub>11</sub>|) MIN FROM 30.1MHz TO 60MHz
    - 12dB MIN FROM 60.1MHz TO 80MHz
  - CROSSTALK ATTENUATION: 35dB MIN FROM 0.5MHz TO 40MHz
  - 33-20 LOG(|S<sub>21</sub>|/|S<sub>12</sub>|) MIN FROM 40.1MHz TO 100MHz
  - COMMON MODE REJECTION RATIO (CMRR): 30dB MIN FROM 0.5MHz TO 100MHz
  - ISOLATION VOLTAGE: COMPLIES WITH IEEE802.3 2002, PARA 23.5.1.1, ITEM b.
- 4 OPERATING TEMPERATURE: FROM 0°C TO +70°C.
- △ INDICATED CONNECTIONS ARE FOR HUB CONFIGURATION. THE MAGNETICS ARE SYMMETRICAL AND SUPPORT AUTO-MDX.
- △ LEDS ARE DRIVEN WITH CONSTANT CURRENT AT APPROX 20 mA
- LED COLOR DOMINANT WAVELENGTH (AD): GREEN 568 nm TYP @ IF=20 mA
- FORWARD VOLTAGE (VF): GREEN 2.2V TYP @ IF=20 mA
- DOMINANT WAVELENGTH (AD): YELLOW 588 nm TYP @ IF=20 mA
- FORWARD VOLTAGE (VF): YELLOW 2.1V TYP @ IF=20 mA
- △ TRP CONNECTOR LOGO, PART NUMBER, DATE CODE, COUNTRY OF ORIGIN AND AGENCY APPROVAL MARKING IN APPROXIMATE LOCATION SHOWN.
- B. THE PART IS RECOMMENDED FOR WAVE SOLDERING PROCESS, PREHEAT TEMPERATURE IS 120°C TO 160°C, 120 SECONDS TO 180 SECONDS, PEAK WAVE SOLDERING TEMPERATURE IS 260°C MAX, 10 SECONDS MAX.

4	1	GREEN/YELLOW	GREEN	6610176-5
BOTTOM PANEL (GROUND TABS)	REAR GROUND TABS	LED1 △	LED2 △	PART NUMBER
THIS DRAWING IS A CONTROLLED DOCUMENT.				
DIMENSIONS:		DONGSIUAN CHINA		
NOTES:		1X4 746C1 10/100 TAB UP W/ LED		
PREP. PRT: 108-2100		REV: ONE SIDE (MIN) TO — REFERRED TO —		
CUSTOMER DRAWING		A1 6610176		

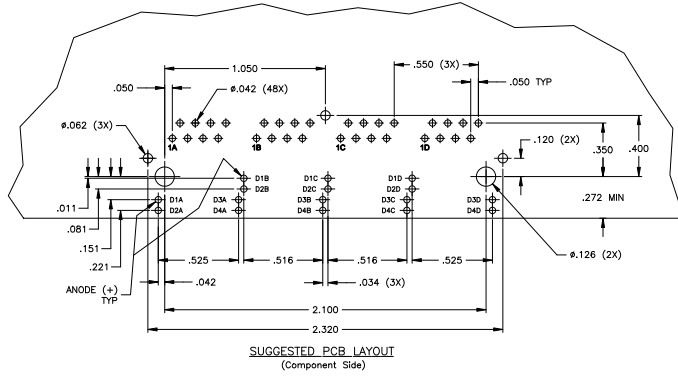
746K1 SERIES MAGNETIC CIRCUIT  $\Delta/\Delta$   
PORTS 1 & 3



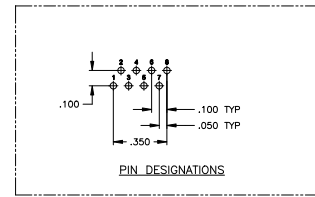
746K1 SERIES MAGNETIC CIRCUIT  $\Delta/\Delta$   
PORTS 2 & 4



C1=1000pF, 2kV CAPACITOR  
R1-R4=75 OHMS, 1/16 W RESISTORS



SUGGESTED PCB LAYOUT  
(Component Side)



THIS DRAWING IS A CONTROLLED DOCUMENT.		REV. ATTACH. D00001		DONGGUAN CHINA				
DIMENSIONS: INCHES DECIMALS FRACTIONS ANGLES UNLESS SPECIFIED OTHERWISE	QUANTITY: PER DRAWING PER PART PER ASSEMBLY PER DRAWING PER PART PER ASSEMBLY	REV. NO. DATE BY CHECKED BY APPROVED BY			PART NO. 108-2100	MAGJACK GANG NON-POE CUSTOMER DRAWING	REV. NO. DATE BY CHECKED BY APPROVED BY	PART NO. 6610176