

Excellent Integrated System Limited

Stocking Distributor

Click to view price, real time Inventory, Delivery & Lifecycle Information:

[Bel Fuse Inc.](#)
[5-6610127-6](#)

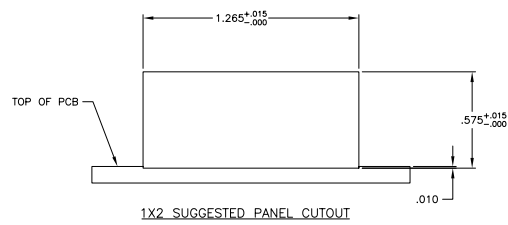
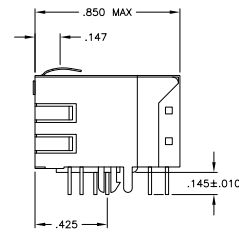
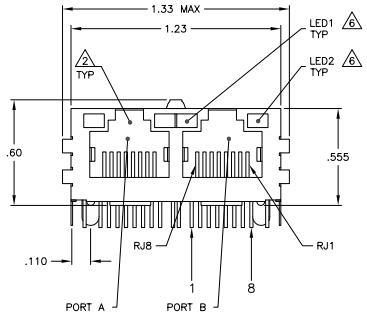
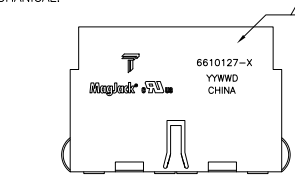
For any questions, you can email us directly:
sales@integrated-circuit.com

THIS DRAWING AND THE SUBJECT MATTER SHOWN THEREON ARE CONFIDENTIAL AND THE PROPERTY OF BEL/STEWART/TRP CONNECTOR AND SHALL NOT BE REPRODUCED, COPIED, OR USED IN ANY MANNER WITHOUT THE WRITTEN CONSENT OF TRP CONNECTOR.

PRODUCT MAY BE PROTECTED BY ONE OR MORE OF THE FOLLOWING US PATENTS:
 5736910 5939955 6425781 6428361 6554638 6840817 7123117
 7429195 7717749 7808751 6217391 6149050 7924130

REVISIONS			
REV	DESCRIPTION	DATE	BY
E	EC-1411030 COMPACT LOGO CHANGE	10/06/2010	DZ TL

MECHANICAL:



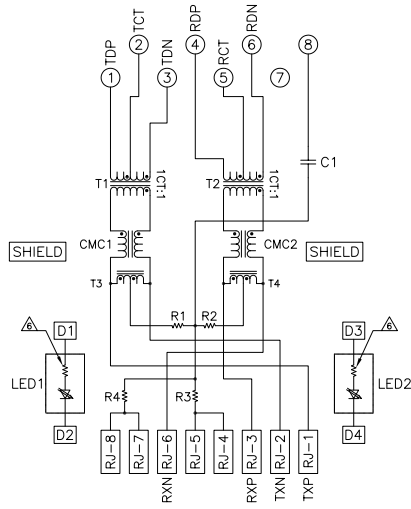
- ⚠️ **MATERIALS**
 - HOUSING - THERMOPLASTIC PET POLYESTER FLAMMABILITY RATING UL 94V-0
 - SHIELD - .010" THICK C26800 BRASS PREPLATED WITH 30.0μINCH MIN SEMI-BRIGHT NICKEL. SOLDER TABS POST DIPPED WITH 100.0μINCH MIN SAC SOLDER
 - MOD JACK CONTACTS - 0.0157 X 0.018" PHOSPHOR BRONZE, 50.0μINCH MIN OVERALL NICKEL UNDERPLATE WITH SELECT 150.0μINCH MIN HARD GOLD FINISH PLATE.
 - SOLDER TABS WITH 100.0μINCH MIN MATTE TIN AND/OR SAC SOLDER DIP
 - LIGHT EMITTING DIODE(LED) - DIFFUSED EPOXY LENS, 0.20" X 0.20" CARBON STEEL WIREFRAME LEADS PRE-PLATED WITH 80.0μINCH SILVER OVER 40.0μINCH NICKEL UNDERPLATE OVER 40.0μINCH COPPER UNDERPLATE POST-PLATED WITH 100.0μINCH MATTE TIN AND/OR SAC SOLDER DIP OR PURE TIN SOLDER DIP.
- ⚠️ **RJ45 JACK CAVITY CONFORMS TO FCC RULES AND REGULATIONS PART 68, SUB PART F.**
- ⚠️ **MAGNETICS**
 - IMPEDANCE: 100 OHMS
 - TURNS RATIO (CHP-CABLE): TX = 1:1, RX = 1:1
 - OPEN CIRCUIT INDUCTANCE (OCIL) 350.0pH MIN @ 100MHz, 0.1Vrms.
 - SHIELD BIAS FROM 0°C TO 70°C, TX AND RX
 - PERFORMANCE @ 25°C
 - RETURN LOSS (RL): 18dB MIN FROM 0.5MHz TO 30MHz
 - 18-20LOG(I)/30dB MIN FROM 30.1MHz TO 60MHz
 - 12dB MIN FROM 60.1MHz TO 80MHz
 - CROSSTALK ATTENUATION: 35dB MIN FROM 0.5MHz TO 40MHz
 - 33-20PLDGI/50dB MIN FROM 4.0MHz TO 100MHz
 - COMMON MODE REJECTION RATIO (CMRR): 30dB MIN FROM 0.5MHz TO 100MHz
 - ISOLATION VOLTAGE: 2250VDC (MAX) FOR 60 SECONDS WITH A RISE TIME OF 500V/SEC AND WITH ALL PORTS CONNECTED.
- 4. OPERATING TEMPERATURE: FROM 0°C TO +70°C.
- ⚠️ INDICATED CONNECTIONS ARE FOR NIC CONFIGURATION. THE MAGNETICS ARE SYMMETRICAL AND SUPPORT AUTO-MDM/MDX.
- ⚠️ THE 250 OHM RESISTOR IS OPTIONAL. PLEASE SEE CHART FOR PRESENCE OR ABSENCE OF LED RESISTORS.
 - IF LEADS WITHOUT 250 OHM RESISTOR, LEADS ARE DRIVEN WITH CONSTANT CURRENT AT APPROX 20 mA
 - LED COLOR DOMINANT WAVELENGTH (λD): GREEN 568 nm TYP @ IF=20 mA
 - FORWARD VOLTAGE (VF): GREEN 2.2V TYP @ IF=20 mA
 - DOMINANT WAVELENGTH (λD): YELLOW 588 nm TYP @ IF=20 mA
 - FORWARD VOLTAGE (VF): YELLOW 2.1V TYP @ IF=20 mA
 - IF LEADS WITH BUILT-IN RESISTOR, LEADS ARE DRIVEN WITH 5V VOLTAGE AND THE MAX OPERATING CURRENT IS 20mA.
 - LED COLOR DOMINANT WAVELENGTH (λD): GREEN 568 nm TYP @ VF=5V
 - FORWARD CURRENT (IF): GREEN 12mA TYP @ VF=5V
 - DOMINANT WAVELENGTH (λD): YELLOW 588 nm TYP @ VF=5V
 - FORWARD CURRENT (IF): YELLOW 10mA TYP @ VF=5V
- ⚠️ TRP CONNECTOR LOGO, PART NUMBER, DATE CODE, COUNTRY OF ORIGIN AND AGENCY APPROVAL MARKING IN APPROXIMATE LOCATION SHOWN.
- 8. THESE PARTS ARE RECOMMENDED FOR WAVE SOLDERING PROCESS. PREHEAT TEMPERATURE IS 120°C TO 160°C, 120 SECONDS TO 180 SECONDS, PEAK WAVE SOLDERING TEMPERATURE IS 260°C MAX, 10 SECONDS MAX.
- ⚠️ OBSOLETE PARTS: OBSOLETE CIS STREAMLINING PER D.RENAUD/D.SINISI

OBSOLETE	GREEN/YELLOW		YELLOW		PART NUMBER
	NO	YES	NO	YES	
		250 OHM RESISTOR		250 OHM RESISTOR	5-6610127-6
	LED1		LED2		5-6610127-1

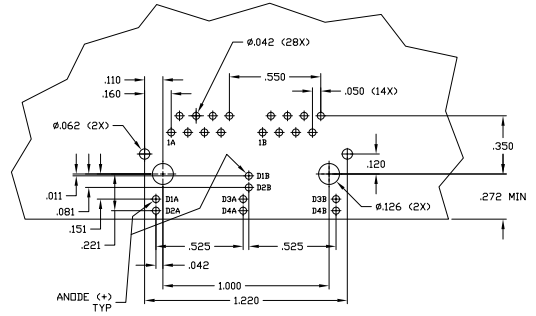
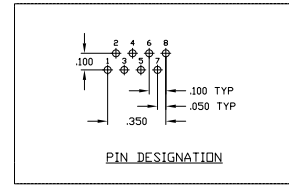
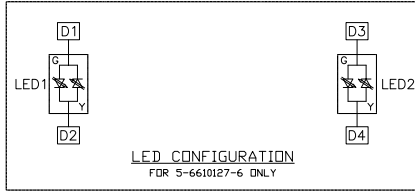
THIS DRAWING IS A CONTROLLED DOCUMENT.				DONGGUAN CHINA	
DATE	REV	DATE	REV	DATE	REV
108-2100					

ELECTRICAL:

715P1 SERIES MAGNETIC CIRCUIT



C1 = 1000pF 2kV CAPACITOR
R1-R4 = 75 OHMS, 1/16 W RESISTORS



THIS DRAWING IS A CONTROLLED DOCUMENT.		REV. 1		DATE	
DRAWN BY: J. FERNANDEZ		CHECKED BY: J. FERNANDEZ		DATE: 08/20/10	
APPROVED BY: J. FERNANDEZ		DATE: 08/20/10		DRAWN BY: J. FERNANDEZ	
DATE: 08/20/10		DATE: 08/20/10		DATE: 08/20/10	
PROJECT: 108-2100		CUSTOMER: MAGJACK GANG		PART: 1X2 715P1 10/100 TAB UP W/ LED	
SPEC: A1		REV: 1		DATE: 08/20/10	
PART: 108-2100		CUSTOMER: MAGJACK GANG		PART: 1X2 715P1 10/100 TAB UP W/ LED	
DATE: 08/20/10		DATE: 08/20/10		DATE: 08/20/10	