

Excellent Integrated System Limited

Stocking Distributor

Click to view price, real time Inventory, Delivery & Lifecycle Information:

[Bel Fuse Inc.](#)
[5-6610075-1](#)

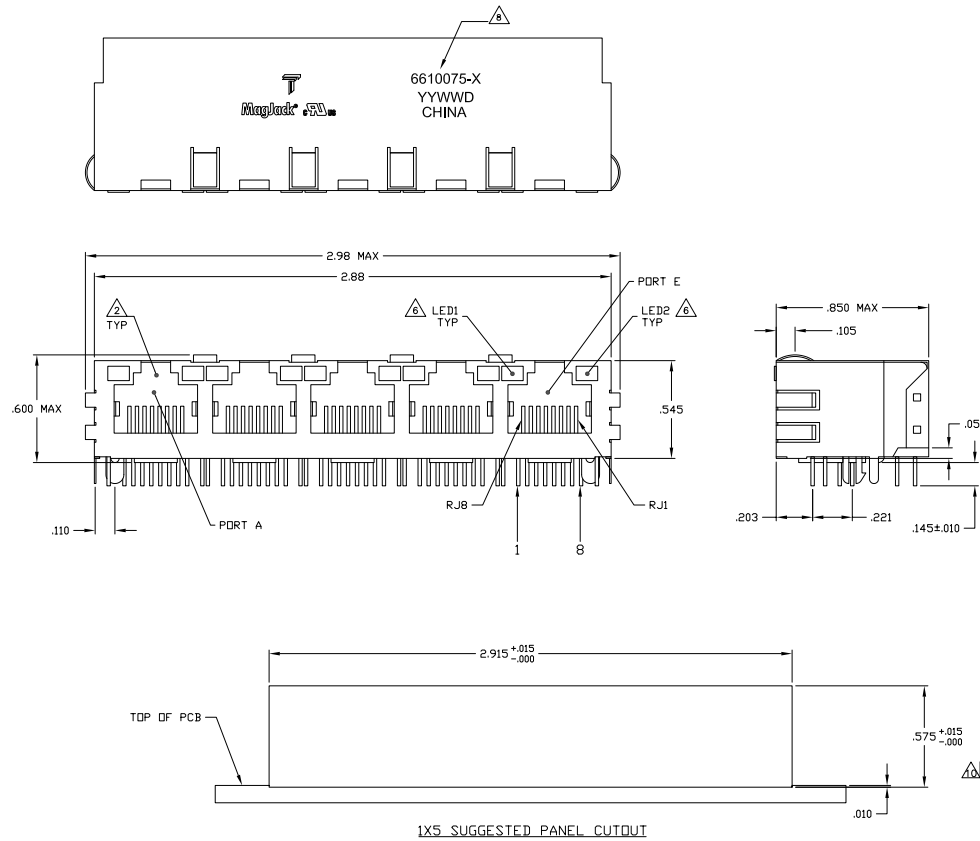
For any questions, you can email us directly:
sales@integrated-circuit.com

THIS DRAWING AND THE SUBJECT MATTER SHOWN THEREON ARE CONFIDENTIAL AND THE PROPERTY OF BEL/STEWART/TRP CONNECTOR AND SHALL NOT BE REPRODUCED, COPIED, OR USED IN ANY MANNER WITHOUT THE WRITTEN CONSENT OF TRP CONNECTOR.

PRODUCT MAY BE PROTECTED BY ONE OR MORE OF THE FOLLOWING US PATENTS:
 5736910 5939955 6425781 6428361 6554638 6840817 7123117
 7429195 7717749 7808751 6217391 6149050 7924130

REVISIONS			
REV	DESCRIPTION	DATE	BY
E	EC-1411035 COMPACT LOGO CHANGE	10/20/2015	DZ TEL

MECHANICAL:



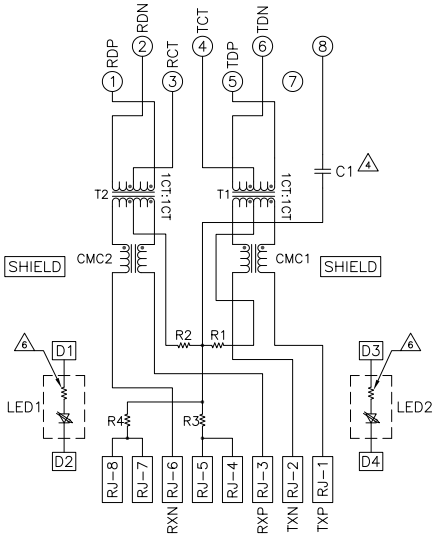
- ⚠ MATERIALS:
 - HOUSING - THERMOPLASTIC PET POLYESTER FLAMMABILITY RATING UL 94V-0.
 - SHIELD - 010" THICK, C26800 BRASS PREPLATED WITH 30μINCH MIN SEMI-BRIGHT NICKEL.
 - SOLDER TABS POST DIPPED WITH 100μINCH MIN SAC SOLDER.
 - MOD JACK CONTACTS - 0.0151" X 0.016" PHOSPHOR BRONZE, 50μINCH MIN OVERALL NICKEL UNDERPLATE WITH SELECT 50μINCH MIN HARD GOLD FINISH PLATE. SOLDER TAILS WITH 100μINCH MIN MATTE TIN AND/OR SAC SOLDER DIP.
 - LIGHT EMITTING DIODE(S) - DIFFUSED EPOXY LENS, 0.20" X 0.20" CARBON STEEL WIREFRAME LEADS PRE-PLATED WITH 80μINCH SILVER OVER 40μINCH NICKEL UNDERPLATE OVER 40μINCH COPPER UNDERPLATE. POST-PLATED WITH 100μINCH MIN MATTE TIN AND/OR SAC SOLDER DIP OR PURE TIN SOLDER DIP.
- ⚠ RJ45 JACK CAVITY CONFORMS TO FCC RULES AND REGULATIONS PART 68, SUB PART F.
- ⚠ MAGNETICS
 - IMPEDANCE: 100 OHMS
 - TURNS RATIO (CHP-CABLE): TX = 11, RX = 11
 - OPEN CIRCUIT INDUCTANCE (OCL): 350μH MIN @100MHz, 0.1VRMS, 8mADC BIAS FROM 0°C TO 70°C, TX AND RX
 - PERFORMANCE @ 25°C
 - INSERTION LOSS (IL): 1.1dB MAX FROM 0.5MHz TO 100MHz
 - RETURN LOSS (RL): 18dB MIN FROM 0.5MHz TO 30MHz
 - 18-20LOG(I/30)dB MIN FROM 30.1MHz TO 60MHz
 - 12dB MIN FROM 60.1MHz TO 80MHz
 - 33-20LOG(I/50)dB MIN FROM 40.1MHz TO 100MHz
 - CROSSTALK ATTENUATION: 35dB MIN FROM 0.5MHz TO 40MHz
 - COMMON MODE REJECTION RATIO (CMRR): 30dB MIN FROM 0.5MHz TO 100MHz
 - ISOLATION VOLTAGE: 2250VDC (MAX) FOR 60 SECONDS WITH A RISE TIME OF 500V/SEC AND WITH ALL PORTS CONNECTED.
- ⚠ C15 IS AN OPTIONAL CAPACITOR. IF NO CAPACITOR, TRACE IS CONTINUOUS. SEE TABLE FOR PRESENCE OF CAPACITOR IN DIFFERENT CONFIGURATIONS.
- 5. OPERATING TEMPERATURE FROM 0° TO -70°C.
- ⚠ LEDs WITH BUILT-IN RESISTOR
 - LEDs ARE DRIVEN WITH 5V VOLTAGE AND THE MAX OPERATING CURRENT IS 20mA.
 - LED COLOR: DOMINANT WAVELENGTH (λD): GREEN 568 nm TYP. @ VF=5V
 - FORWARD CURRENT (IF): GREEN 12 mA TYP. @ VF=5V
 - DOMINANT WAVELENGTH (λD): YELLOW 588 nm TYP. @ VF=5V
 - FORWARD CURRENT (IF): YELLOW 13 mA TYP. @ VF=5V
- ⚠ INDICATED CONNECTIONS ARE FOR NIC CONFIGURATION. THE MAGNETICS ARE SYMMETRICAL, AND SUPPORT AUTO-MDI/MDX.
- ⚠ TRP CONNECTOR LOGO, PART NUMBER, DATE CODE, COUNTRY OF ORIGIN AND AGENCY APPROVAL MARKING IN APPROXIMATE LOCATION SHOWN.
- 9. THESE PARTS IS RECOMMENDED FOR WAVE SOLDERING PROCESS. PEAK WAVE SOLDERING TEMPERATURE IS 265°C MAX, 10 SECONDS MAX.
- ⚠ OBSOLETE PARTS: OBSOLETE CIS STREAMLINING PER D RENAUD/D SINISI

YES	GREEN	GREEN	6-6610075-1
YES	GREEN	YELLOW	5-6610075-1
NO	GREEN	GREEN	1-6610075-1
DECOUPLING CAPACITOR		LED1	LED2
		LED1	LED2

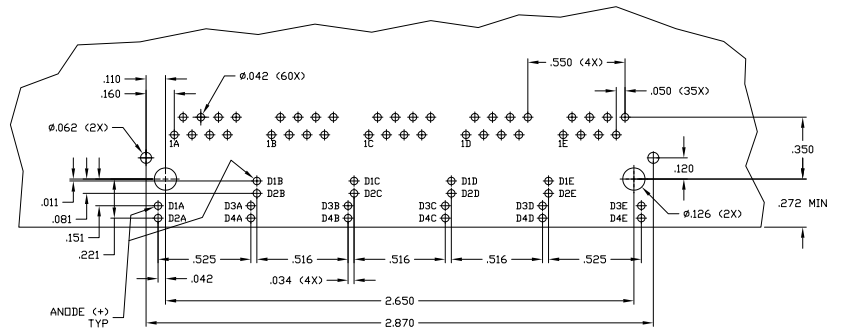
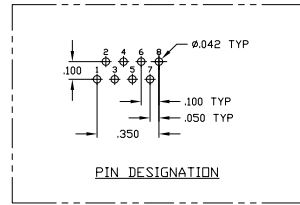
THIS DRAWING IS A CONTROLLED DOCUMENT.		UNLESS OTHERWISE SPECIFIED	
DATE	REV	DESCRIPTION	BY
10/8-2100			

TRP CONNECTOR	1X5 726 10/100 TAB UP W/ LED	NON-POE	6610075
CUSTOMER DRAWING			

726 SERIES MAGNETIC CIRCUIT



C1 = 1000 pF, 2kV DECOUPLING CAPACITOR
R1-R4 = 75 OHMS, 1/16W, 5% RESISTORS



SUGGESTED PCB LAYOUT
(Component Side)

THIS DRAWING IS A CONTROLLED DOCUMENT.		REV: 01	DATE: 05/2015	BY: YIBELVA-SOOCHE	CHK: YIBELVA	APPROVED: YIBELVA	DESIGNED: YIBELVA	TRIP COMMUNICATIONS	DONGGUAN CHINA
DATE: 10/8-2100	PROJECT: 108-2100	REV: 01	DATE: 05/2015	BY: YIBELVA-SOOCHE	CHK: YIBELVA	APPROVED: YIBELVA	DESIGNED: YIBELVA	TRIP COMMUNICATIONS	DONGGUAN CHINA
MAGJACK GANG		NON-POE		1X5 726 10/100 TAB UP W/ LED		A1		C-6610075	
CUSTOMER DRAWING		DATE: 05/2015		BY: YIBELVA-SOOCHE		CHK: YIBELVA		APPROVED: YIBELVA	