

Excellent Integrated System Limited

Stocking Distributor

Click to view price, real time Inventory, Delivery & Lifecycle Information:

[Integrated Device Technology \(IDT\)](#)
[IDT4MA100000Z3AACUGI8](#)

For any questions, you can email us directly:

sales@integrated-circuit.com



100.00 MHz LVPECL Oscillator

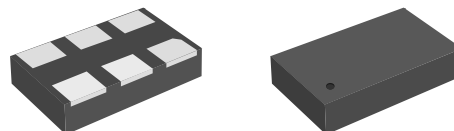
High Performance Differential MEMS Oscillator

4MA100000Z3

DATASHEET

Features

- Frequency: 100.00 MHz
- Output Type: LVPECL
- Frequency Stability: ± 50 ppm
- Supply Voltage: 2.5V & 3.3V
- Standard Packages: 5.0 x 3.2 mm; 7.0 x 5.0 mm
- RMS phase jitter: 0.6ps typical (12k to 20MHz)
- Operating Temperature: -40 to 85 °C

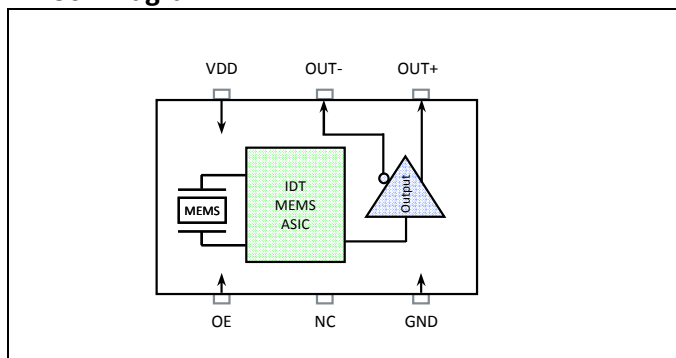


7.0 x 5.0 mm package shown
(also available in 5.0 x 3.2mm pkg)

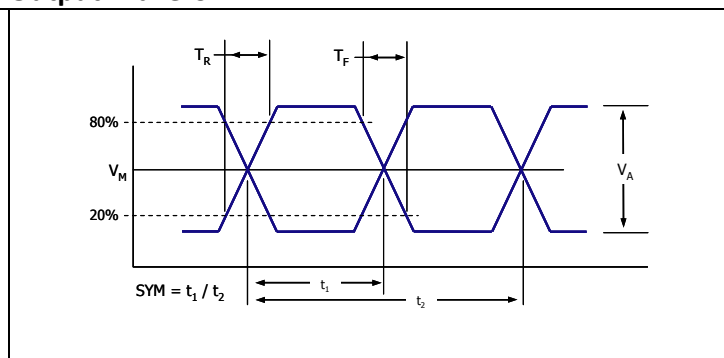
Specification

Parameter	2.5 V Specifications			3.3 V Specifications			Units	Conditions
	Min	Typ	Max	Min	Typ	Max		
Supply Voltage (V _{DD})	2.375	2.50	2.625	2.97	3.30	3.63	V	
Output Frequency		100.00			100.00		MHz	
Frequency Stability	- 50		+ 50	- 50		+ 50	ppm	Includes supply voltage and temperature variation (-40 to 85°C), reflow drift, and aging.
Supply Current		95			100		mA	No load
Enable/Disable Time			1			1	us	Guaranteed by design
Input LOW level			0.3V _{DD}			0.3V _{DD}	V	At OE pin
Input HIGH level	0.7V _{DD}			0.7V _{DD}			V	At OE pin
Output LOW level		0.8	V _{DD} -1.8		1.5	V _{DD} -1.8	V	
Output HIGH level	V _{DD} -1.0	1.6		V _{DD} -1.1	2.3		V	
Amplitude (V _A)		0.75			0.75		V	Single Ended output swing (Pk-Pk)
Mid Level (V _M)		V _{DD} -1.3			V _{DD} -1.3		V	
Rise Time (T _R)		220	260		200	240	ps	Maximum; 20/80% of V _A ; Output load (CL) = 2pF; Guaranteed by Char.
Fall Time (T _F)		220	260		200	240	ps	Maximum; 20/80% of V _A ; Output load (CL) = 2pF; Guaranteed by Char.
Symmetry (SYM)	48	50	52	48	50	52	%	Worst case; measured at 50% of waveform
Phase Jitter		0.9			0.6		ps	12k to 20MHz, RMS; Measured Differentially
Period Jitter		2.6			2.4		ps	RMS
Cycle-to-Cycle Jitter		20			18		ps	1,000 cycles, Peak
Start-up Time		10			10		ms	Output valid time after power up, 25°C
Aging		± 5			± 5		ppm	25°C, 10 years

Block Diagram



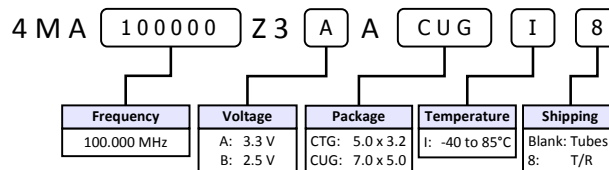
Output Waveform



Part Ordering Information

Package Size	Voltage	Ordering Code
7.0 x 5.0 mm	3.3 V	4MA100000Z3AACUGI
	2.5 V	4MA100000Z3BACUGI
5.0 x 3.2 mm	3.3 V	4MA100000Z3AACTGI
	2.5 V	4MA100000Z3BACTGI

* Factory minimum order quantity: 500pcs (T/R)



4MA100000Z3 Datasheet

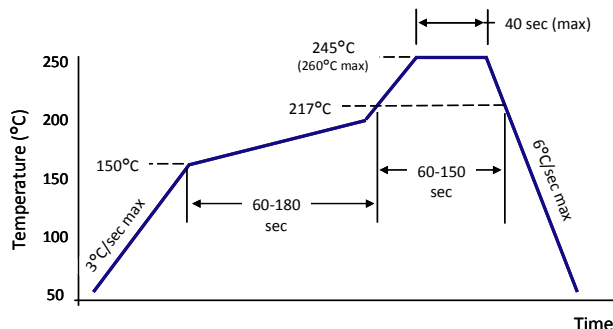
100.00 MHz LVPECL MEMS Oscillator

Pin Description

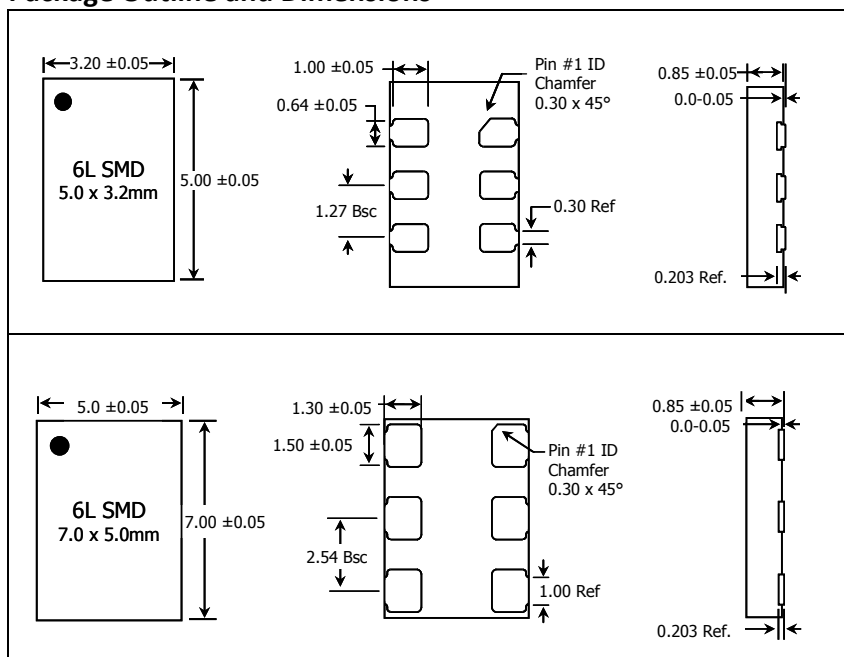
Pin #	Name	Description
1	OE	Output Enable*
2	NC	No Connect
3	GND	Ground
4	OUT+	Output
5	OUT-	Complementary Output
6	VDD	Power Supply Voltage

* Pulled high internally

Solder Reflow Profile



Package Outline and Dimensions



Typical PCB Land Pattern

