

Excellent Integrated System Limited

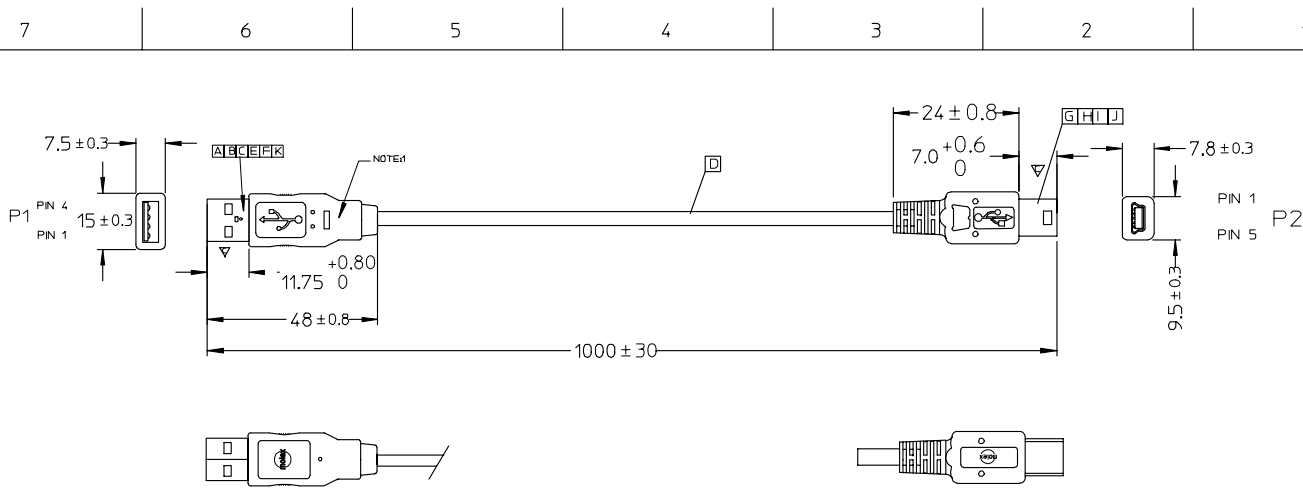
Stocking Distributor

Click to view price, real time Inventory, Delivery & Lifecycle Information:

[Molex Connector Corporation](#)
[0688060019](#)

For any questions, you can email us directly:

sales@integrated-circuit.com



NOTE:

1. OUTER MOLDED WITH BLK PVC RESIN 887800019
2. ALL COMPONENT MUST MEET ROHS REQUIREMENT.

K	COPPER FOIL	887801083		1
J	COPPER FOIL	887801114		1
I	USB SERIES MINI-B PLUG COVER SHIELD	675460000		1
H	USB SERIES MINI-B PLUG SHIELD CASE	675450000		1
G	MINI-B PLUG	675420008		1
F	TERMINAL	887809090 (AWG24)		2
E	TERMINAL	887809091 (AWG28)		2
D	USB #28/#24 BLK CABLE,	172000467	1000	1
C	REAR SHELL	887809084		1
B	FRONT SHELL	887809083		1
A	CRIMP HOUSING	887809086		1

SHELL	SHELL	SHIELDING	BRAID WIRE
4	5	GROUND	BLACK
3	3	+DATA	GREEN
2	2	-DATA	WHITE
1	1	VCC	RED
P 1	P 2	SIGNAL NAME	WIRE COLOR

CONNECTION DIAGRAM		ITEM	DESCRIPTION	L	QTY.
4 PLACES	± --- ± ---	PHZHU	2005/10/07		
3 PLACES	± --- ± ---	PHZHU	2005/10/07		
2 PLACES	± --- ± ---	PHZHU	2005/10/07		
1 PLACE	± --- ± ---	ZXDENG	2005/10/07		

ENTER DESCRIPTION	EC NO:	DATE	QUALITY SYMBOLS	GENERAL TOLERANCES (UNLESS SPECIFIED)	DIMENSION STYLE	SCALE	DESIGN UNITS	THIRD ANGLE PROJECTION
068806-0019	DG2006-0078	2005/10/15	▽=0	mm INCH	MM ONLY	---	METRIC	☉
DRW:PHZHU		2005/10/19	▽=0					
CHK:PHZHU		2005/10/19						
APPR:DLULU		2005/10/20						
REV								

GENERAL TOLERANCES (UNLESS SPECIFIED)		DIMENSION STYLE		SCALE		DESIGN UNITS		THIRD ANGLE PROJECTION	
4 PLACES	± --- ± ---	mm	INCH	---	METRIC	---	METRIC	☉	THIRD ANGLE PROJECTION
3 PLACES	± --- ± ---								
2 PLACES	± --- ± ---								
1 PLACE	± --- ± ---								
ANGULAR ±1/2°									

DRAWING INFORMATION		TITLE		MATERIAL NO.		DOCUMENT NO.		SHEET NO.	
DRAWN BY: PHZHU		USB 2.0 TYPE A TO MINI-B BLACK 3.3' CABLE ASS'Y		68806-0019		SD-68806-019		1 OF 1	
CHECKED BY: PHZHU									
APPROVED BY: ZXDENG									
DATE: 2005/10/07									