

Excellent Integrated System Limited

Stocking Distributor

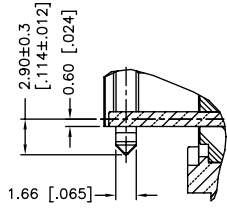
Click to view price, real time Inventory, Delivery & Lifecycle Information:

[Amphenol RF](#)
[112775-75](#)

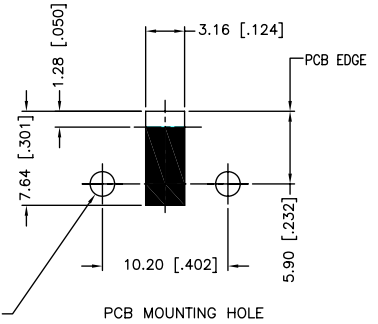
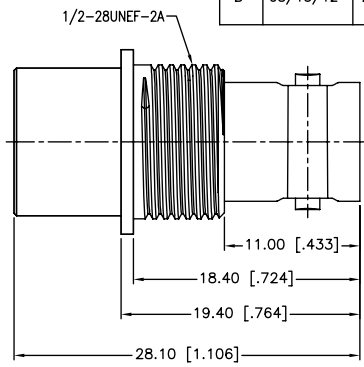
For any questions, you can email us directly:

sales@integrated-circuit.com

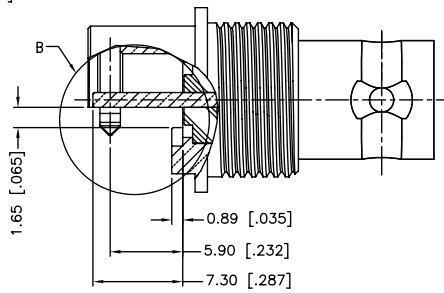
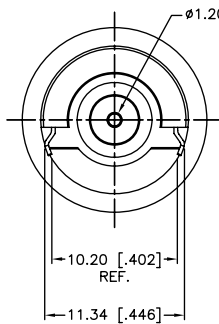
REV.	DATE	ECR NO.	DESCRIPTION
NC	02/03/10	XXXXXX	INITIAL RELEASE
A	06/21/10	2059	THE DIMENSION OF .067" WAS CHANGED TO .035"
B	08/13/12	2350	MODIFY LEG PLATING TO IMPROVE SOLDERABILITY; UPDATE DRAWING FORMAT



DETAIL B
SCALE 4.000



PCB MOUNTING HOLE



1. IMPEDANCE: 75 OHM
2. FREQUENCY RANGE: DC 0-3 GHz
3. VSWR: 1.15, MAX.
4. DIELECTRIC WITHSTANDING VOLTAGE: 1500 VRMS, MIN.
5. DURABILITY: 500 CYCLES MIN.
6. TEMPERATURE RANGE: -65°C TO +165°C

UNLESS OTHERWISE SPECIFIED DIMENSIONS ARE IN MILLIMETERS. DIMENSIONS IN [] ARE IN INCHES AND FOR CUSTOMER REFERENCE ONLY.

UNLESS OTHERWISE SPECIFIED TOLERANCES FOR MILLIMETERS ARE:
0.5 - 8mm ± 0.20mm
8 - 30mm ± 0.40mm
30 - 120mm ± 0.50mm

UNLESS OTHERWISE SPECIFIED TOLERANCES FOR INCHES ARE:
.020 - .315 ± 0.007"
.315 - 1.180 ± 0.015"
1.180 - 4.724 ± 0.020"

DO NOT SCALE DRAWING

APPROVALS	DATE
DRAWN M.ZHANG	08/13/12
CHECKED	
ISSUED	
SHEET 1 OF 1	
CAD FILE C:/CONNEX/112775-75.DWG	

Amphenol Connex

PART DESCRIPTION	
BNC PCB MOUNT RECEPT. JACK	
PART NO. 112775-75	
DWG. NO. 112775-75 .DWG	REV. B SIZE A SCALE NA

QTY	FINISH	MATERIAL	DESCRIPTION
1	NICKEL	BRASS	HOUSING
1	NICKEL	BRASS	LOCK RING
1	NATURAL	PTFE	INSULATOR
1	GOLD	PHOSPHOR BRONZE	CONTACT PIN
1	NATURAL	PTFE	INSULATOR
1	GOLD	301 1/2H STAINLESS STEEL	LEG