

Excellent Integrated System Limited

Stocking Distributor

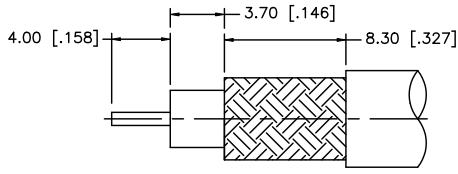
Click to view price, real time Inventory, Delivery & Lifecycle Information:

[Amphenol RF](#)
[112956](#)

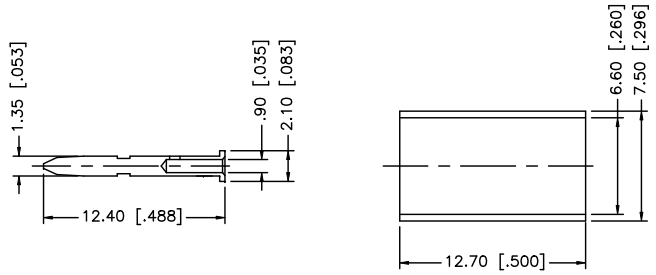
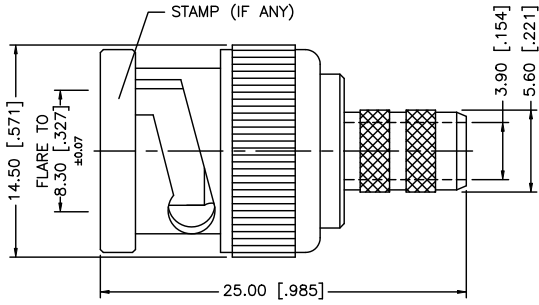
For any questions, you can email us directly:

sales@integrated-circuit.com

REV.	DATE	DESCRIPTION
A	04/28/97	CHANGE GOLD PLATING SPEC.
B	03/08/08	UPDATE DRAWING FORMAT, ADD CRIMP NOTES



RECOMMENDED CABLE STRIPPING DIM'S



NOTES:

1. CRIMPED FERRULE HEX CRIMP SIZE .255"
2. CRIMPED CONTACT HEX CRIMP SIZE .042" OR SOLDER.

REV.	DATE	DESCRIPTION
8		
7		
6		
5		
4		
3		
2		
1		

<small>UNLESS OTHERWISE SPECIFIED DIMENSIONS ARE IN MILLIMETERS. DIMENSIONS IN [] ARE IN INCHES AND FOR CUSTOMER REFERENCE ONLY.</small> <small>UNLESS OTHERWISE SPECIFIED TOLERANCES FOR MILLIMETERS ARE:</small> 0.5 - 8mm ± 0.20mm 8 - 30mm ± 0.40mm 30 - 120mm ± 0.50mm <small>UNLESS OTHERWISE SPECIFIED TOLERANCES FOR INCHES ARE:</small> .020 - .315 = ± 0.007" .315 - 1.180 = ± 0.015" 1.180 - 4.724 = ± 0.020"				APPROVALS	DATE	<h2 style="text-align: center;">Amphenol Connex</h2> <p style="text-align: center;">PART DESCRIPTION BNC CRIMP PLUG (FOR RG-59/U 20AWG - VPM2000 CABLE-75ohm)</p> <p style="text-align: center;">PART NO. 112956</p>				
DESCRIPTION	MATERIAL	FINISH	QTY	DO NOT SCALE DRAWING	CAD FILE		DWG. NO.	REV.	SIZE	SCALE
FERRULE	BRASS	NICKEL	1		C:/112/112956.DWG		112956.DWG	B	A	NA
CONTACT PIN	BRASS	GOLD	1							
INSULATOR	TEFLON	NATURAL	1							
BODY	BRASS	NICKEL	1							