

Excellent Integrated System Limited

Stocking Distributor

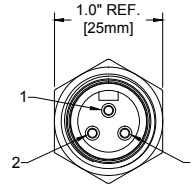
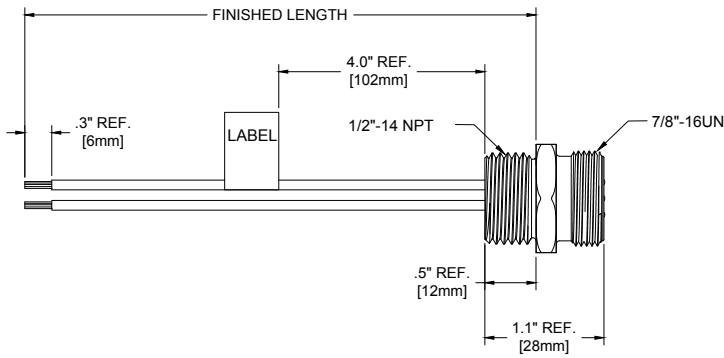
Click to view price, real time Inventory, Delivery & Lifecycle Information:

[Molex Connector Corporation](#)
[1300130201](#)

For any questions, you can email us directly:

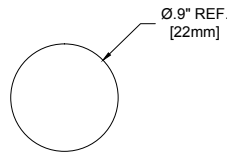
sales@integrated-circuit.com

MATERIAL NUMBER	OLD PART NUMBER	FINISHED LENGTH
130013-0201	1R3006A20A060	6.00" +.75" -0 [2M +19.1 -0]
130013-0202	1R3006A20A120	12.00" +1.75" -0 [3M +44.5 -0]
130013-0211	1R3006A20F030	3.00" +2.19" -0 [9M +55.6 -0]
130013-0215	1R3006A20F060	6.00" +3.50" -0 [1.8M +88.9 -0]



1	GREEN-YELLOW
2	BLACK
3	WHITE

WIRING DIAGRAM



1R3006A20A060

cable type
16 AWG
PVC

cable length
060----6 Inches
120----12 Inches

SPECIFICATION DATA

COMPONENT	MATERIAL	FINISH
LABEL	MYLAR	BLACK/YELLOW
INSERT	PVC	YELLOW
CONTACT	COPPER ALLOY	Au OVER Ni
RECEPTACLE SHELL	ZINC DIE CAST	BLACK E-COATED
CABLE #16	PVC	SEE WIRING DIAGRAM
VOLTAGE RATING:	600VAC/VDC	
AMPERAGE RATING:	13A	
PROTECTION CLASS:	IP 67	
OPERATING TEMPERATURE:	-20°C / 105°C	

UPDATED FOR PART MATRIX EC NO: JPC2014-0888 DRWN: GGUSTAFS 2013/12/03 CHKD: TWOLDEGE APPR: BWOODMAN	QUALITY SYMBOL	GENERAL TOLERANCES (UNLESS SPECIFIED)	DIMENSION STYLE	SCALE	DESIGN UNITS	THIRD ANGLE PROJECTION															
	$\nabla=0$ $\sphericalangle=0$	<table border="1"> <thead> <tr> <th></th> <th>mm</th> <th>INCH</th> </tr> </thead> <tbody> <tr> <td>4 PLACES</td> <td>±.1</td> <td>±.005</td> </tr> <tr> <td>3 PLACES</td> <td>±.13</td> <td>±.010</td> </tr> <tr> <td>2 PLACES</td> <td>±.25</td> <td>±.020</td> </tr> <tr> <td>1 PLACE</td> <td>±.50</td> <td>±.040</td> </tr> </tbody> </table>		mm	INCH	4 PLACES	±.1	±.005	3 PLACES	±.13	±.010	2 PLACES	±.25	±.020	1 PLACE	±.50	±.040	IN/MM	NTS	INCH	
		mm	INCH																		
	4 PLACES	±.1	±.005																		
3 PLACES	±.13	±.010																			
2 PLACES	±.25	±.020																			
1 PLACE	±.50	±.040																			
REV	DESCRIPTION	DRAWN BY: GGUSTAFS DATE: 2013/12/03 CHECKED BY: LH DATE: 2009/04/01 APPROVED BY: DATE:	TITLE	MINI-CHANGE RECEPTACLE 3 POLE MALE 1/2 NPT 16/1 AWG PVC																	
B		ANGULAR ±.5° DRAFT WHERE APPLICABLE MUST REMAIN WITHIN DIMENSIONS	MATERIAL NO. SEE CHART SIZE C	MOLEX INCORPORATED DOCUMENT NO. SD-130013-003	SHEET NO. 1 OF 1																