

Excellent Integrated System Limited

Stocking Distributor

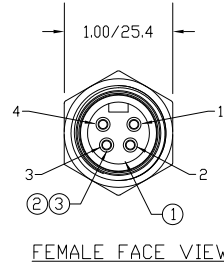
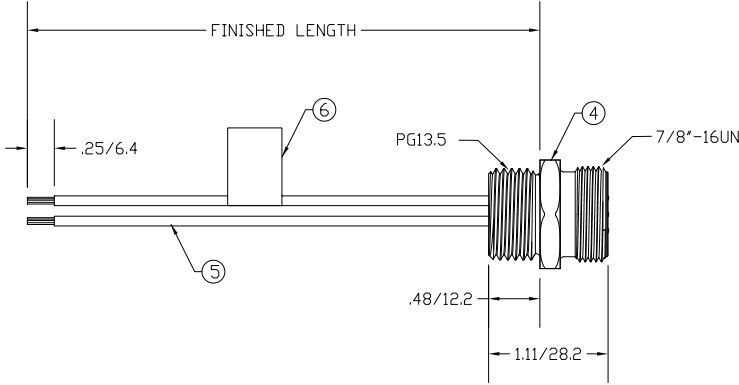
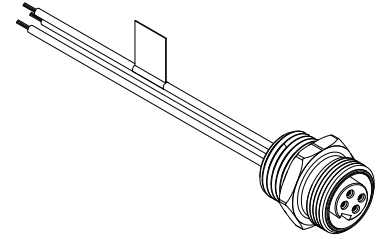
Click to view price, real time Inventory, Delivery & Lifecycle Information:

[Molex Connector Corporation](#)
[1300130393](#)

For any questions, you can email us directly:

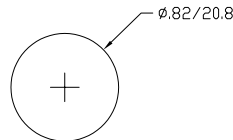
sales@integrated-circuit.com

MATERIAL NUMBER	OLD PART NUMBER	FINISHED LENGTH
130013-0393	1R4D04A16M020	6.56" +3.50" -0 [2.0M +88.9 -0]



1	BLACK
2	BLUE
3	BROWN
4	WHITE

WIRING DIAGRAM



KNOCKOUT HOLE

VOLTAGE RATING	300 VAC/VDC
AMPERAGE RATING	5.6 AMPS
PROTECTION	IP67
OPERATING TEMPERATURE	-20°C TO 105°C
CSA CERTIFICATIONS	CSA CERTIFIED, FILE NO. LR6837

ITEM	COMPONENT	MATERIAL	FINISH
1	INSERT	PVC	YELLOW
2	CONTACT SOCKET	COPPER ALLOY	GOLD OVER NICKEL
3	SOCKET SLEEVE	STAINLESS STEEL	
4	RECEPTACLE SHELL	ZINC DIE CAST	BLACK E-COATED
5	CONDUCTOR - 18 AWG. 16 x #30 COPPER STRANDING, 600V	PVC	SEE WIRING DIAGRAM
6	FLAG LABEL	PLASTIC FILM	BLACK/YELLOW

RLSD DRAWING EC NO: WMA2008-0848 DESIGN: BHOODMAN 6/18/08 CHECK: JH APPROV: JHURPHY 2008/07/08 REV: A	QUALITY SYMBOL ▽=0 ▽=0	GENERAL TOLERANCES (UNLESS SPECIFIED)		DIMENSION STYLE IN/MM		SCALE	DESIGN UNITS	THIRD ANGLE PROJECTION	
		4 PLACES	±---	±---	DRAWN BY	DATE	MINI-CHANGE RECEPTACLE 4 POLE FEMALE PG13.5 IEC COLOR CODE	MOLEX INCORPORATED	SHEET NO. 1 OF 1
		3 PLACES	±---	±---	CHECKED BY	DATE			
		2 PLACES	±---	±.01	APPROVED BY	DATE			
1 PLACE	±0.3	±---	MATERIAL NO. SEE CHART		DOCUMENT NO. SD-130013-007				
DRAFT WHERE APPLICABLE MUST REMAIN WITHIN DIMENSIONS		ANGULAR ±---°		THIS DRAWING CONTAINS INFORMATION THAT IS PROPRIETARY TO MOLEX INCORPORATED AND SHOULD NOT BE USED WITHOUT WRITTEN PERMISSION					