

Excellent Integrated System Limited

Stocking Distributor

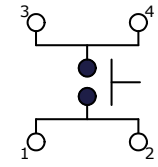
Click to view price, real time Inventory, Delivery & Lifecycle Information:

[E-Switch](#)
[TL6200AWF300QG](#)

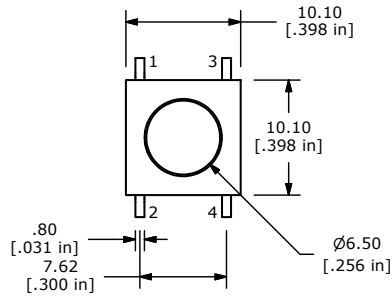
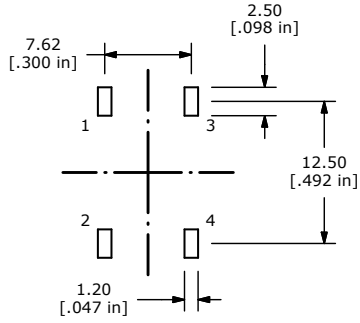
For any questions, you can email us directly:

sales@integrated-circuit.com

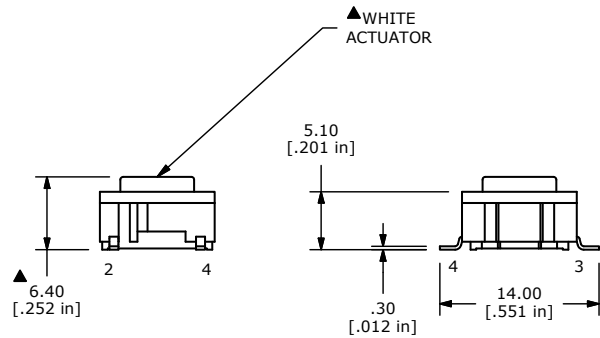
SHEET 1 OF 1



▲ CIRCUIT: SPST



- NOTES:
1. ALL DIMENSIONS IN MM [INCH]
 2. GENERAL TOLERANCE: x.x= ± 0.4
x.xx= ± 0.25
 3. TERM. NOS. FOR REF ONLY
 4. RATING: 50 MILLI-AMPS @24VDC
 5. TRAVEL: 1.0 +/-0.5mm
 6. CONTACT RESISTANCE: 30 MILLIOHMS MAX
 7. INSULATION RESISTANCE: 10M OHMS MIN. AT 100VDC
 8. DIELECTRIC STRENGTH: 250VAC FOR 1 MINUTE
 - ▲ 9. OPERATING FORCE: 300 ± 75 GF
 10. PACKAGING: TAPE AND REEL, 650 PIECES PER REEL
 11. LIFE CYCLES: 10,000,000 ACTUATIONS
 12. ▲ DENOTES CRITICAL PARAMETER
 13. 2002/95/EC (ROHS) COMPLIANT



TITLE TL6200AWF300QG				
SCALE	DATE	DR	DWG	REV
2:1	1/7/2013	rc	T060001	A

THE INFORMATION CONTAINED IN THIS DOCUMENT IS PROPRIETARY TO E-SWITCH AND IS NOT TO BE COPIED OR TRANSFERRED