

Excellent Integrated System Limited

Stocking Distributor

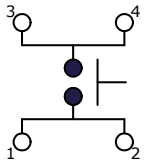
Click to view price, real time Inventory, Delivery & Lifecycle Information:

[E-Switch](#)
[TL6200BBF300QG](#)

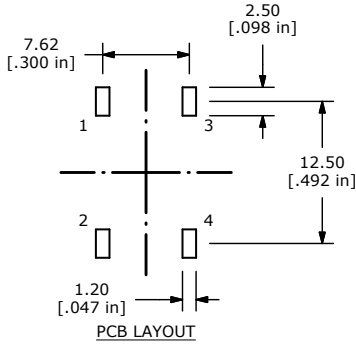
For any questions, you can email us directly:

sales@integrated-circuit.com

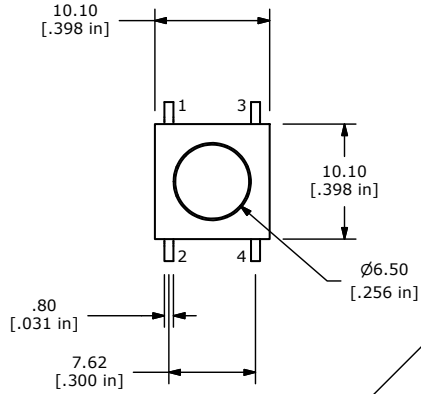
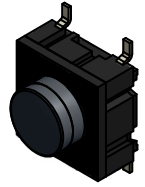
SHEET 1 OF 1



▲ CIRCUIT: SPST

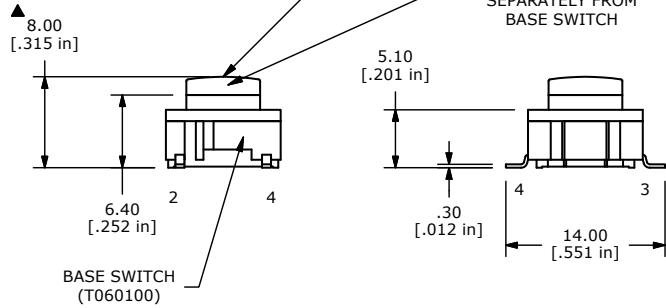


PCB LAYOUT



▲ BLACK ACTUATOR (T061000)

▲ ACTUATOR PORTION (T061000) TO BE SHIPPED SEPARATELY FROM BASE SWITCH



BASE SWITCH (T060100)

- NOTES:
1. ALL DIMENSIONS IN MM [INCH]
 2. GENERAL TOLERANCE: x.xx = ± 0.4
x.xxx = ± 0.25
 3. TERM. NOS. FOR REF ONLY
 4. RATING: 50 MILLI-AMPS @24VDC
 5. TRAVEL: 1.0 +/-0.5mm
 6. CONTACT RESISTANCE: 30 MILLIOHMS MAX
 7. INSULATION RESISTANCE: 10M OHMS MIN. AT 100VDC
 8. DIELECTRIC STRENGTH: 250VAC FOR 1 MINUTE
 - ▲ 9. OPERATING FORCE: 300 ± 75 GF
 10. PACKAGING: TAPE AND REEL, 650 PIECES PER REEL
 11. LIFE CYCLES: 10,000,000 ACTUATIONS
 12. ▲ DENOTES CRITICAL PARAMETER
 13. 2002/95/EC (ROHS) COMPLIANT
 14. ACTUATOR PORTION (T061000) TO BE SHIPPED IN BAGS SEPARATELY FROM THE BASE SWITCH (T060100) AND TO BE ASSEMBLED AFTER SOLDERING.



B	21031	CHANGED/ADDED BOM	2/12/13	rc
A	20968	New Release	1/14/13	rc
REV	PCR NO	DESCRIPTION	DATE	BY

TITLE TL6200BBF300QG				
SCALE 2:1	DATE 1/7/2013	DR rc	DWG T060002	REV B

THE INFORMATION CONTAINED IN THIS DOCUMENT IS PROPRIETARY TO E-SWITCH AND IS NOT TO BE COPIED OR TRANSFERRED