

Excellent Integrated System Limited

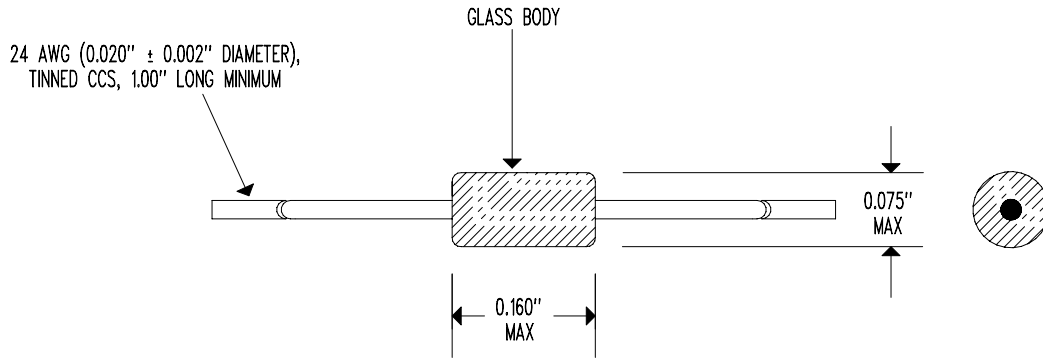
Stocking Distributor

Click to view price, real time Inventory, Delivery & Lifecycle Information:

[US Sensor](#)
[103FG1K](#)

For any questions, you can email us directly:

sales@integrated-circuit.com



RESISTANCE @ +25°C = 10,000 Ω ± 10%
 RESISTANCE/TEMPERATURE CURVE = "F"
 TEMPERATURE COEFFICIENT @ +25°C = -3.86%/°C NOMINAL
 BETA "β" (0 TO +50°C) = 3,419°K NOMINAL
 DISSIPATION CONSTANT = 2 mW/°C NOMINAL (STILL AIR)
 THERMAL TIME CONSTANT = 5 SECONDS NOMINAL (STILL AIR)
 THERMAL TIME CONSTANT = 0.5 SECONDS NOMINAL (WELL STIRRED OIL)
 MAXIMUM TEMPERATURE RATING = +300°C

---	ISO RELEASE	11/19/03	DD
"A"	WIRE DIA WAS 0.020±0.001", WIRE LENGTH WAS 1.125" NOM	03/03/03	DD
REV	REVISION RECORD	DATE	APP

SCALE NONE	© COPYRIGHT U.S. SENSOR CORP. 714-639-1000 www.ussensor.com NTC THERMISTOR P/N 103FG1K
DRAWN BY DAN DANKERT	
DATE 03/27/90	
REV. "A"	
LAYER 0 OF 1	