

## Excellent Integrated System Limited

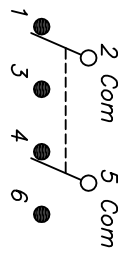
Stocking Distributor

Click to view price, real time Inventory, Delivery & Lifecycle Information:

[E-Switch](#)  
[100AWDP1T1B1M1QEH](#)

For any questions, you can email us directly:

[sales@integrated-circuit.com](mailto:sales@integrated-circuit.com)

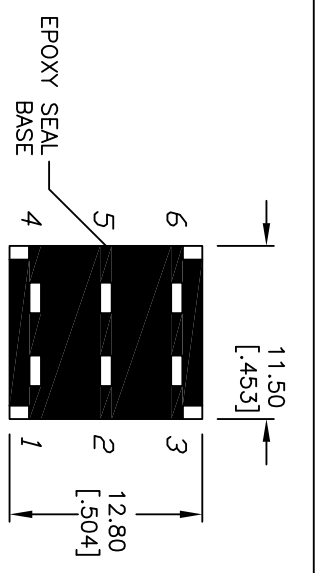
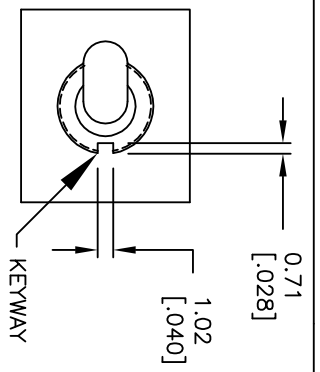


CIRCUIT: DPDT  
CONTACT CONFIGURATION

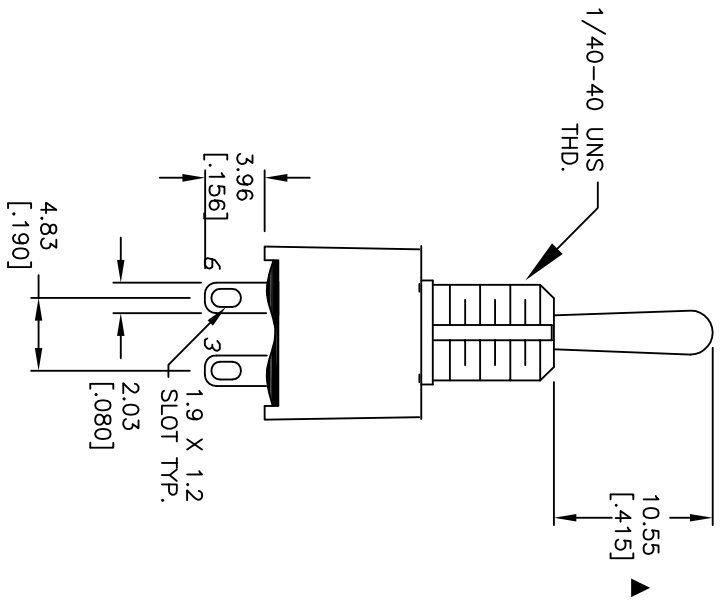
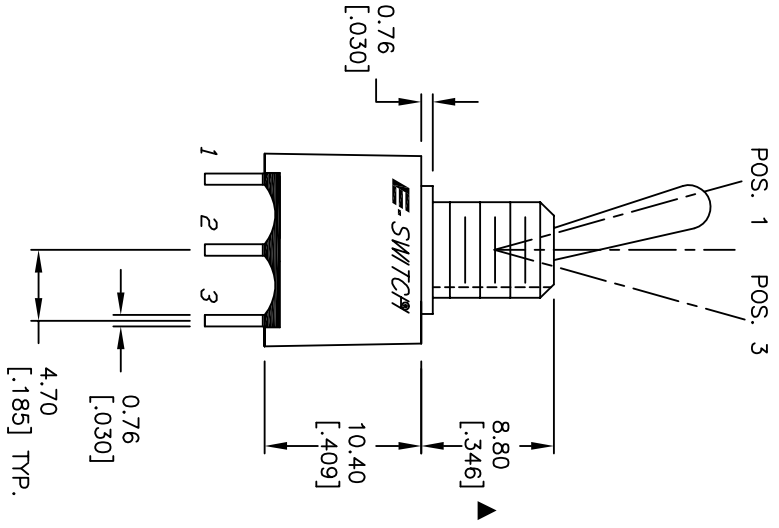
POS. 1	POS. 2	POS. 3
DN	NONE	DN
2-3,5-6	DPEN	2-1,5-4

NOTES:

1. ALL DIMENSIONS IN MM [INCH]
2. GENERAL TOLERANCE: X.X=±0.4 X.XX=±0.25
3. TERMINAL NUMBERS FOR REF ONLY
4. RATING: 5A @120VAC or 28VDC  
2A @250VAC (w/RESISTIVE LOAD)
5. FIXED TERM. & MOVING CONTACT:  
Cu Alloy w/Silver plate
6. ELECTRIC LIFE: 40,000 make-and-break cycles at full load.
7. INSULATION RESISTANCE: 1,000 Mega-ohm min.
8. DIELECTRIC STRENGTH: 1,000 V RMS @sea level.
9. OPERATING TEMP.: -30°C to 85°C
10. ▲ DENOTES CRITICAL PARAMETER.
11. 2002/95/EC (ROHS) COMPLIANT
12. HARDWARE SUPPLIED IN BULK:  
T100011-LOCK WASHER QTY-1  
T100015-LOCK RING QTY-1  
T100000-HEX NUT QTY-2



BOTTOM VIEW



REV. A	ECN No. 17694	RELEASED FOR PRODUCTION	DATE 9/19/07	CHKD BF
		DESCRIPTION		

THE INFORMATION CONTAINED IN THIS DOCUMENT IS PROPRIETARY TO E-SWITCH AND IS NOT TO BE COPIED OR TRANSFERRED

TITLE	SCALE 2:1	DATE 9/19/07	DR BF	DWG ST102112	REV A
<b>E-SWITCH®</b>					
100AWDP1T1B1M1QE-H					